

HAL501...506, 508, 509,  
HAL516...518  
Hall Effect Sensor Family

## Contents

<b>Page</b>	<b>Section</b>	<b>Title</b>
<b>3</b>	<b>1.</b>	<b>Introduction</b>
3	1.1.	Features
3	1.2.	Family Overview
4	1.3.	Marking Code
4	1.4.	Operating Junction Temperature Range
4	1.5.	Hall Sensor Package Codes
4	1.6.	Solderability
<b>5</b>	<b>2.</b>	<b>Functional Description</b>
<b>6</b>	<b>3.</b>	<b>Specifications</b>
6	3.1.	Outline Dimensions
6	3.2.	Dimensions of Sensitive Area
6	3.3.	Positions of Sensitive Areas
7	3.4.	Absolute Maximum Ratings
7	3.5.	Recommended Operating Conditions
8	3.6.	Electrical Characteristics
9	3.7.	Magnetic Characteristics Overview
<b>14</b>	<b>4.</b>	<b>Type Descriptions</b>
14	4.1.	HAL 501
16	4.2.	HAL 502
18	4.3.	HAL 503
20	4.4.	HAL 504
22	4.5.	HAL 505
24	4.6.	HAL 506
26	4.7.	HAL 508
28	4.8.	HAL 509
30	4.9.	HAL 516
32	4.10.	HAL 517
34	4.11.	HAL 518
<b>36</b>	<b>5.</b>	<b>Application Notes</b>
36	5.1.	Ambient Temperature
36	5.2.	Extended Operating Conditions
36	5.3.	Start-up Behavior
36	5.4.	EMC
<b>40</b>	<b>6.</b>	<b>Data Sheet History</b>

## Hall Effect Sensor Family in CMOS technology

**Release Notes: Revision bars indicate significant changes to the previous edition.**

### 1. Introduction

The HAL5xx family consists of different Hall switches produced in CMOS technology. All sensors include a temperature-compensated Hall plate with active offset compensation, a comparator, and an open-drain output transistor. The comparator compares the actual magnetic flux through the Hall plate (Hall voltage) with the fixed reference values (switching points). Accordingly, the output transistor is switched on or off.

The sensors of this family differ in the switching behavior and the switching points.

The active offset compensation leads to constant magnetic characteristics over supply voltage and temperature range. In addition, the magnetic parameters are robust against mechanical stress effects.

The sensors are designed for industrial and automotive applications and operate with supply voltages from 3.8 V to 24 V in the ambient temperature range from -40 °C up to 150 °C.

All sensors are available in a SMD-package (SOT-89A) and in a leaded version (TO-92UA). The introduction of the additional SMD-package SOT-89B is planned for 1999.

#### 1.1. Features:

- switching offset compensation at typically 62 kHz
- operates from 3.8 V to 24 V supply voltage
- overvoltage protection at all pins
- reverse-voltage protection at V<sub>DD</sub>-pin
- magnetic characteristics are robust against mechanical stress effects
- short-circuit protected open-drain output by thermal shut down
- operates with static magnetic fields and dynamic magnetic fields up to 10 kHz
- constant switching points over a wide supply voltage range
- the decrease of magnetic flux density caused by rising temperature in the sensor system is compensated by a built-in negative temperature coefficient of the magnetic characteristics

- ideal sensor for applications in extreme automotive and industrial environments
- EMC corresponding to DIN 40839

### 1.2. Family Overview

The types differ according to the magnetic flux density values for the magnetic switching points, the temperature behavior of the magnetic switching points, and the mode of switching.

Type	Switching Behavior	Sensitivity	see Page
501	bipolar	very high	14
502	latching	high	16
503	latching	medium	18
504	unipolar	medium	20
505	latching	low	22
506	unipolar	high	24
508	unipolar	medium	26
509	unipolar	low	28
516	unipolar with inverted output	high	30
517	unipolar with inverted output	medium	32
518	unipolar with inverted output	medium	34

#### Latching Sensors:

The output turns low with the magnetic south pole on the branded side of the package and turns high with the magnetic north pole on the branded side. The output does not change if the magnetic field is removed. For changing the output state, the opposite magnetic field polarity must be applied.

#### Bipolar Switching Sensors:

The output turns low with the magnetic south pole on the branded side of the package and turns high with the magnetic north pole on the branded side. The output state is not defined for all sensors if the magnetic field is removed again. Some sensors will change the output state and some sensors will not.

## Unipolar Switching Sensors:

The output turns low with the magnetic south pole on the branded side of the package and turns high if the magnetic field is removed. The sensor does not respond to the magnetic north pole on the branded side.

## Unipolar Switching Sensors with Inverted Output:

The output turns high with the magnetic south pole on the branded side of the package and turns low if the magnetic field is removed. The sensor does not respond to the magnetic north pole on the branded side.

### 1.3. Marking Code

All Hall sensors have a marking on the package surface (branded side). This marking includes the name of the sensor and the temperature range.

Type	Temperature Range			
	A	K	E	C
HAL501	501A	501K	501E	501C
HAL502	502A	502K	502E	502C
HAL503	503A	503K	503E	503C
HAL504	504A	504K	504E	504C
HAL505	505A	505K	505E	505C
HAL506	506A	506K	506E	506C
HAL508	508A	508K	508E	508C
HAL509	509A	509K	509E	509C
HAL516	516A	516K	516E	516C
HAL517	517A	517K	517E	517C
HAL518	518A	518K	518E	518C

### 1.4. Operating Junction Temperature Range

**A:**  $T_J = -40\text{ °C to }+170\text{ °C}$

**K:**  $T_J = -40\text{ °C to }+140\text{ °C}$

**E:**  $T_J = -40\text{ °C to }+100\text{ °C}$

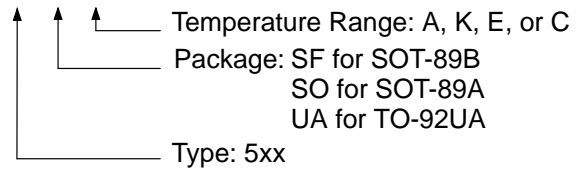
**C:**  $T_J = 0\text{ °C to }+100\text{ °C}$

The Hall sensors from Micronas are specified to the chip temperature (junction temperature  $T_J$ ).

The relationship between ambient temperature ( $T_A$ ) and junction temperature is explained in section 5.1. on page 36.

### 1.5. Hall Sensor Package Codes

HALXXXPA-T



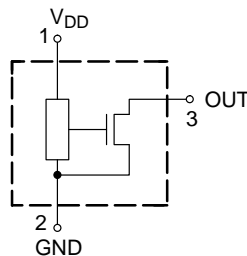
Example: **HAL505UA-E**

- Type: 505
- Package: TO-92UA
- Temperature Range:  $T_J = -40\text{ °C to }+100\text{ °C}$

Hall sensors are available in a wide variety of packaging versions and quantities. For more detailed information, please refer to the brochure: "Ordering Codes for Hall Sensors".

### 1.6. Solderability

all packages: according to IEC68-2-58



**Fig. 1-1:** Pin configuration

## 2. Functional Description

The HAL5xx sensors are monolithic integrated circuits which switch in response to magnetic fields. If a magnetic field with flux lines perpendicular to the sensitive area is applied to the sensor, the biased Hall plate forces a Hall voltage proportional to this field. The Hall voltage is compared with the actual threshold level in the comparator. The temperature-dependent bias increases the supply voltage of the Hall plates and adjusts the switching points to the decreasing induction of magnets at higher temperatures. If the magnetic field exceeds the threshold levels, the open drain output switches to the appropriate state. The built-in hysteresis eliminates oscillation and provides switching behavior of output without bouncing.

Magnetic offset caused by mechanical stress is compensated for by using the “switching offset compensation technique”. Therefore, an internal oscillator provides a two phase clock. The Hall voltage is sampled at the end of the first phase. At the end of the second phase, both sampled and actual Hall voltages are averaged and compared with the actual switching point. Subsequently, the open drain output switches to the appropriate state. The time from crossing the magnetic switching level to switching of output can vary between zero and  $1/f_{osc}$ .

Shunt protection devices clamp voltage peaks at the Output-Pin and  $V_{DD}$ -Pin together with external series resistors. Reverse current is limited at the  $V_{DD}$ -Pin by an internal series resistor up to  $-15$  V. No external reverse protection diode is needed at the  $V_{DD}$ -Pin for reverse voltages ranging from  $0$  V to  $-15$  V.

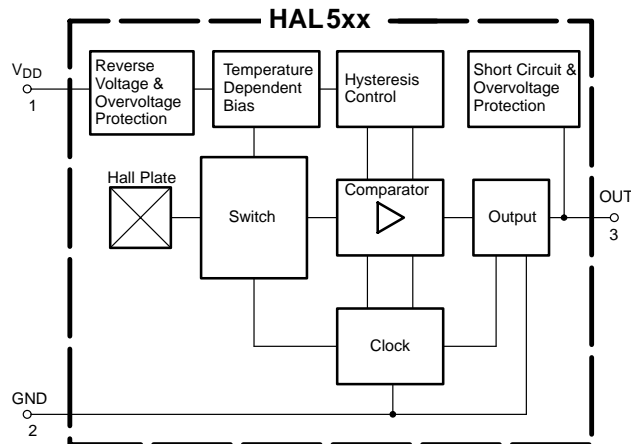


Fig. 2-1: HAL5xx block diagram

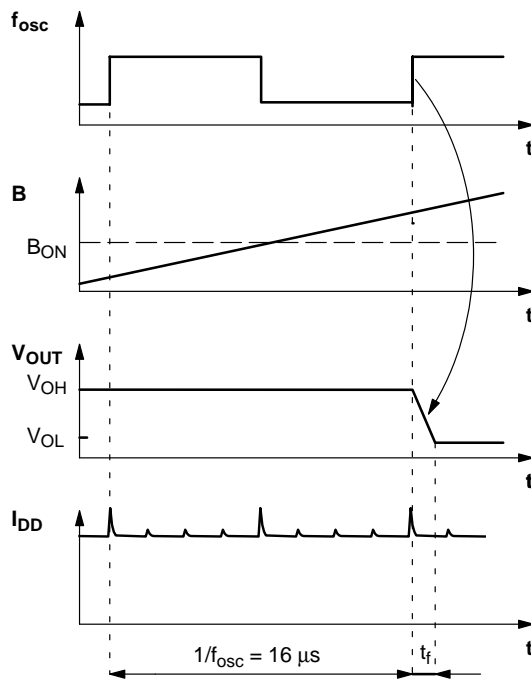
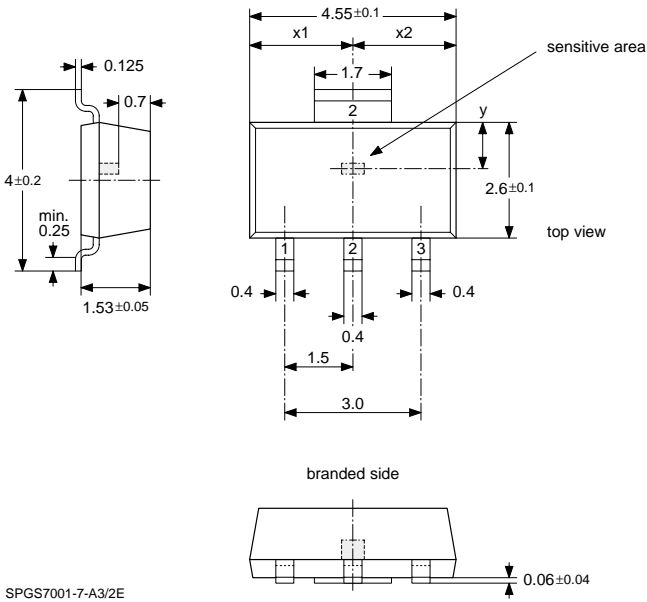


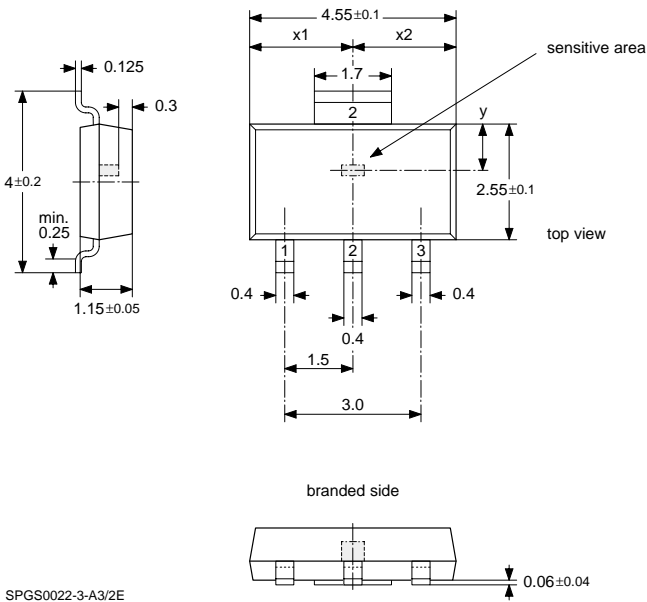
Fig. 2-2: Timing diagram

## 3. Specifications

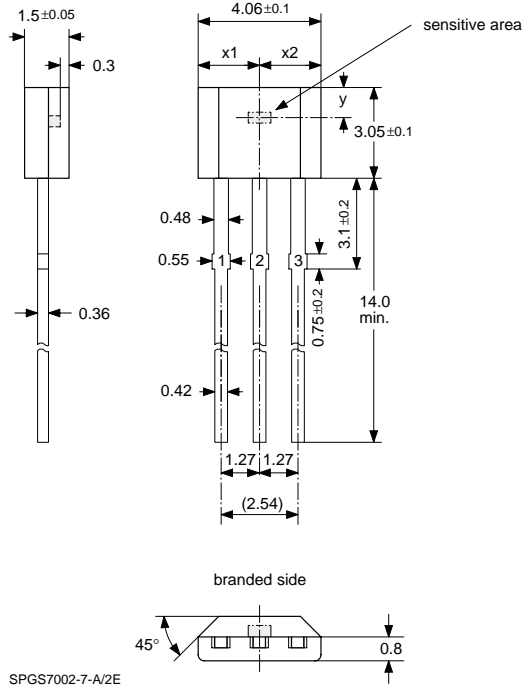
### 3.1. Outline Dimensions



**Fig. 3-1:**  
Plastic Small Outline Transistor Package  
(SOT-89A)  
Weight approximately 0.04 g  
Dimensions in mm



**Fig. 3-2:**  
Plastic Small Outline Transistor Package  
(SOT-89B)  
Weight approximately 0.035 g  
Dimensions in mm



**Fig. 3-3:**  
Plastic Transistor Single Outline Package  
(TO-92UA)  
Weight approximately 0.12 g  
Dimensions in mm

For all package diagrams, a mechanical tolerance of  $\pm 50 \mu\text{m}$  applies to all dimensions where no tolerance is explicitly given.

### 3.2. Dimensions of Sensitive Area

0.25 mm x 0.12 mm

### 3.3. Positions of Sensitive Areas

SOT-89A	SOT-89B	TO-92UA
$ x_2 - x_1  / 2 < 0.2 \text{ mm}$		
$y = 0.98 \text{ mm}$ $\pm 0.2 \text{ mm}$	$y = 0.95 \text{ mm}$ $\pm 0.2 \text{ mm}$	$y = 1.0 \text{ mm}$ $\pm 0.2 \text{ mm}$

**Note:** This package will be introduced in 1999. Samples are available. Contact the sales offices for high volume delivery.

### 3.4. Absolute Maximum Ratings

Symbol	Parameter	Pin No.	Min.	Max.	Unit
V <sub>DD</sub>	Supply Voltage	1	-15	28 <sup>1)</sup>	V
-V <sub>P</sub>	Test Voltage for Supply	1	-24 <sup>2)</sup>	-	V
-I <sub>DD</sub>	Reverse Supply Current	1	-	50 <sup>1)</sup>	mA
I <sub>DDZ</sub>	Supply Current through Protection Device	1	-200 <sup>3)</sup>	200 <sup>3)</sup>	mA
V <sub>O</sub>	Output Voltage	3	-0.3	28 <sup>1)</sup>	V
I <sub>O</sub>	Continuous Output On Current	3	-	50 <sup>1)</sup>	mA
I <sub>Omax</sub>	Peak Output On Current	3	-	250 <sup>3)</sup>	mA
I <sub>OZ</sub>	Output Current through Protection Device	3	-200 <sup>3)</sup>	200 <sup>3)</sup>	mA
T <sub>S</sub>	Storage Temperature Range		-65	150	°C
T <sub>J</sub>	Junction Temperature Range		-40 -40	150 170 <sup>4)</sup>	°C
1) as long as T <sub>Jmax</sub> is not exceeded 2) with a 220 Ω series resistance at pin 1 corresponding to test circuit 1 3) t < 2 ms 4) t < 1000h					

Stresses beyond those listed in the “Absolute Maximum Ratings” may cause permanent damage to the device. This is a stress rating only. Functional operation of the device at these or any other conditions beyond those indicated in the “Recommended Operating Conditions/Characteristics” of this specification is not implied. Exposure to absolute maximum ratings conditions for extended periods may affect device reliability.

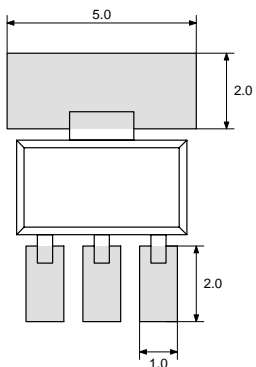
### 3.5. Recommended Operating Conditions

Symbol	Parameter	Pin No.	Min.	Max.	Unit
V <sub>DD</sub>	Supply Voltage	1	3.8	24	V
I <sub>O</sub>	Continuous Output On Current	3	0	20	mA
V <sub>O</sub>	Output Voltage (output switched off)	3	0	24	V

### 3.6. Electrical Characteristics at $T_J = -40\text{ }^\circ\text{C}$ to $+170\text{ }^\circ\text{C}$ , $V_{DD} = 3.8\text{ V}$ to $24\text{ V}$ , as not otherwise specified in Conditions Typical Characteristics for $T_J = 25\text{ }^\circ\text{C}$ and $V_{DD} = 12\text{ V}$

Symbol	Parameter	Pin No.	Min.	Typ.	Max.	Unit	Conditions
$I_{DD}$	Supply Current	1	2.3	3	4.2	mA	$T_J = 25\text{ }^\circ\text{C}$
$I_{DD}$	Supply Current over Temperature Range	1	1.6	3	5.2	mA	
$V_{DDZ}$	Overvoltage Protection at Supply	1	–	28.5	32	V	$I_{DD} = 25\text{ mA}$ , $T_J = 25\text{ }^\circ\text{C}$ , $t = 20\text{ ms}$
$V_{OZ}$	Overvoltage Protection at Output	3	–	28	32	V	$I_{OH} = 25\text{ mA}$ , $T_J = 25\text{ }^\circ\text{C}$ , $t = 20\text{ ms}$
$V_{OL}$	Output Voltage	3	–	130	280	mV	$I_{OL} = 20\text{ mA}$ , $T_J = 25\text{ }^\circ\text{C}$
$V_{OL}$	Output Voltage over Temperature Range	3	–	130	400	mV	$I_{OL} = 20\text{ mA}$
$I_{OH}$	Output Leakage Current	3	–	0.06	0.1	$\mu\text{A}$	Output switched off, $T_J = 25\text{ }^\circ\text{C}$ , $V_{OH} = 3.8\text{ to }24\text{ V}$
$I_{OH}$	Output Leakage Current over Temperature Range	3	–	–	10	$\mu\text{A}$	Output switched off, $T_J \leq 150\text{ }^\circ\text{C}$ , $V_{OH} = 3.8\text{ to }24\text{ V}$
$f_{osc}$	Internal Oscillator Chopper Frequency	–	49	62	–	kHz	$T_J = 25\text{ }^\circ\text{C}$ , $V_{DD} = 4.5\text{ V to }24\text{ V}$
$f_{osc}$	Internal Oscillator Chopper Frequency over Temperature Range	–	38	62	–	kHz	
$t_{en(O)}$	Enable Time of Output after Setting of $V_{DD}$	1	–	30	70	$\mu\text{s}$	$V_{DD} = 12\text{ V}$ <sup>1)</sup>
$t_r$	Output Rise Time	3	–	75	400	ns	$V_{DD} = 12\text{ V}$ , $R_L = 820\text{ Ohm}$ , $C_L = 20\text{ pF}$
$t_f$	Output Fall Time	3	–	50	400	ns	$V_{DD} = 12\text{ V}$ , $R_L = 820\text{ Ohm}$ , $C_L = 20\text{ pF}$
$R_{thJSB}$ case SOT-89A SOT-89B	Thermal Resistance Junction to Substrate Backside	–	–	150	200	K/W	Fiberglass Substrate 30 mm x 10 mm x 1.5mm, pad size see Fig. 3–4
$R_{thJA}$ case TO-92UA	Thermal Resistance Junction to Soldering Point	–	–	150	200	K/W	

1)  $B > B_{ON} + 2\text{ mT}$  or  $B < B_{OFF} - 2\text{ mT}$  for HAL 50x,  $B > B_{OFF} + 2\text{ mT}$  or  $B < B_{ON} - 2\text{ mT}$  for HAL 51x



**Fig. 3–4:** Recommended pad size SOT-89x  
Dimensions in mm



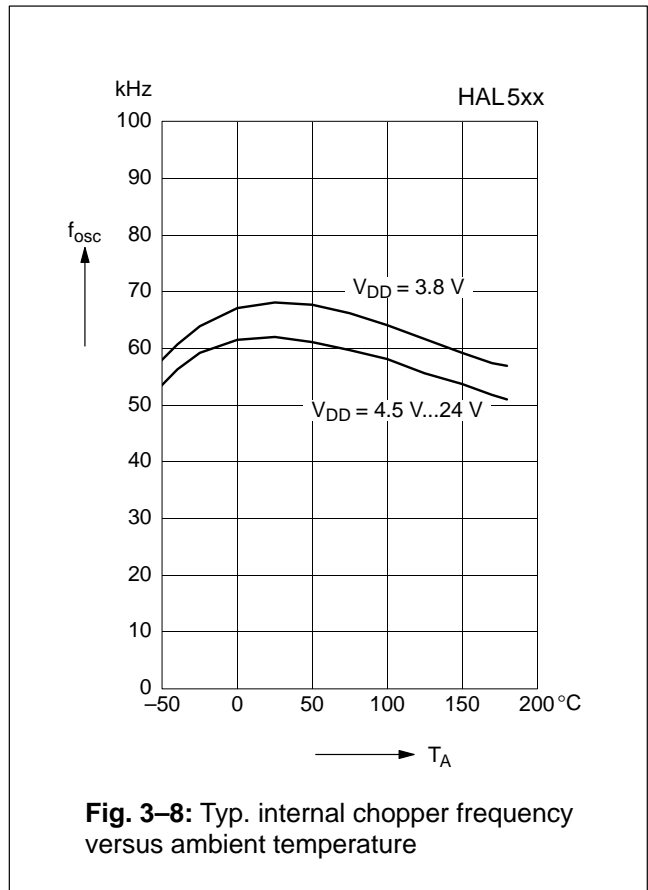
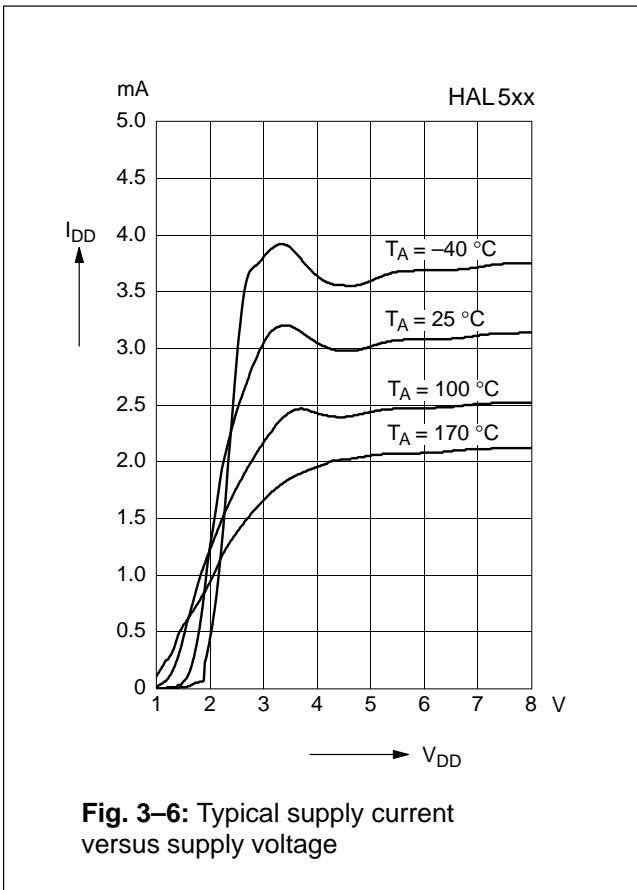
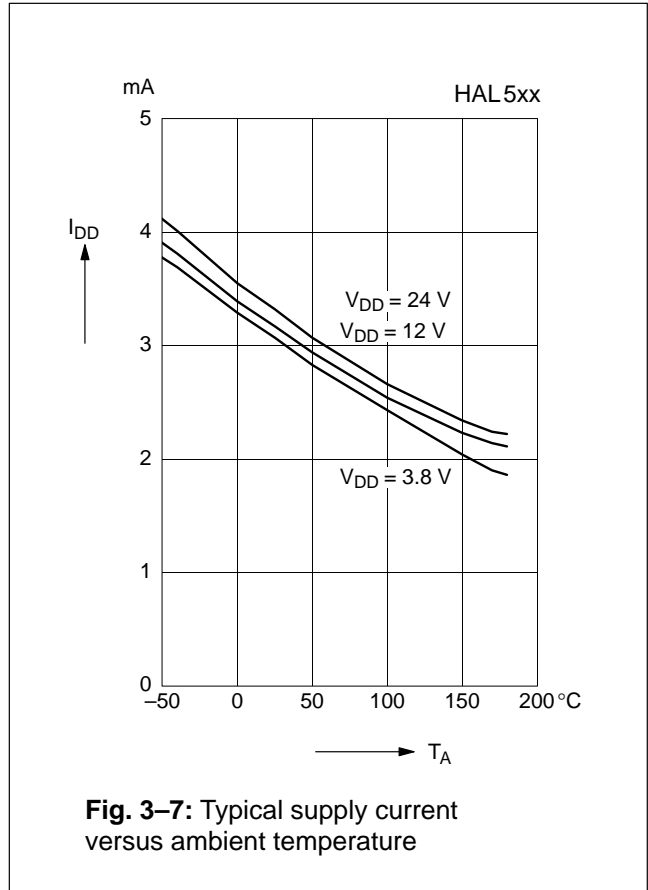
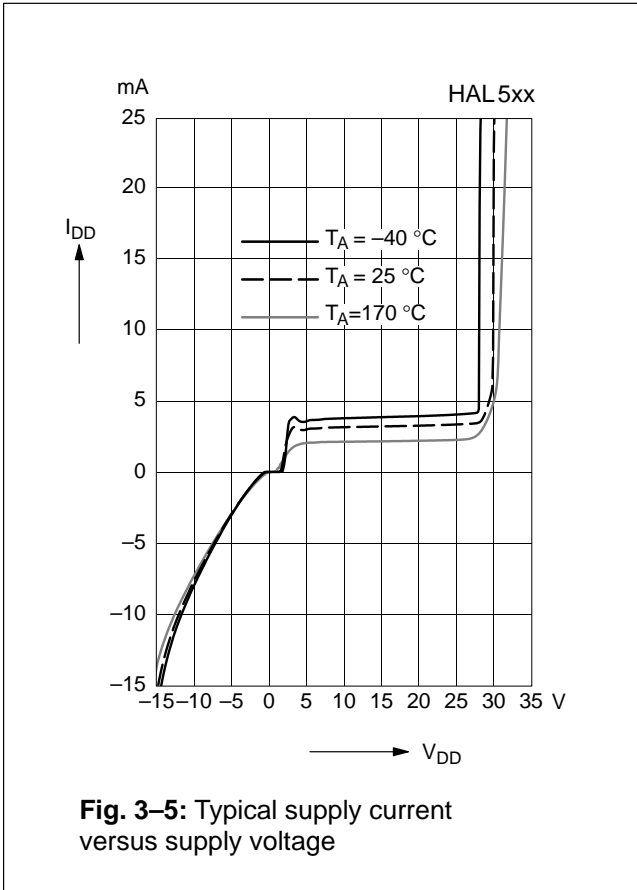
**3.7. Magnetic Characteristics Overview** at  $T_J = -40\text{ °C}$  to  $+170\text{ °C}$ ,  $V_{DD} = 3.8\text{ V}$  to  $24\text{ V}$ ,  
 Typical Characteristics for  $V_{DD} = 12\text{ V}$

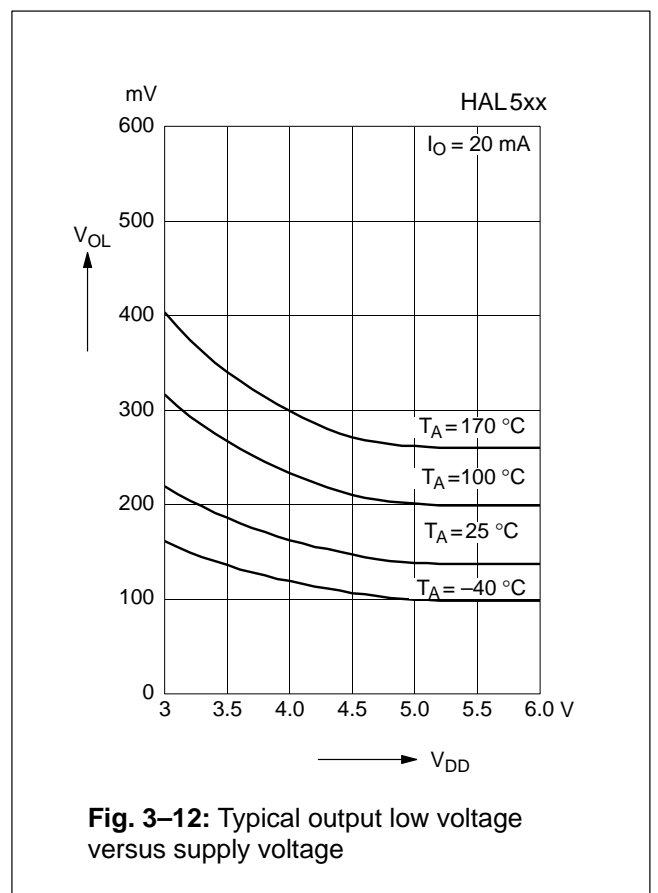
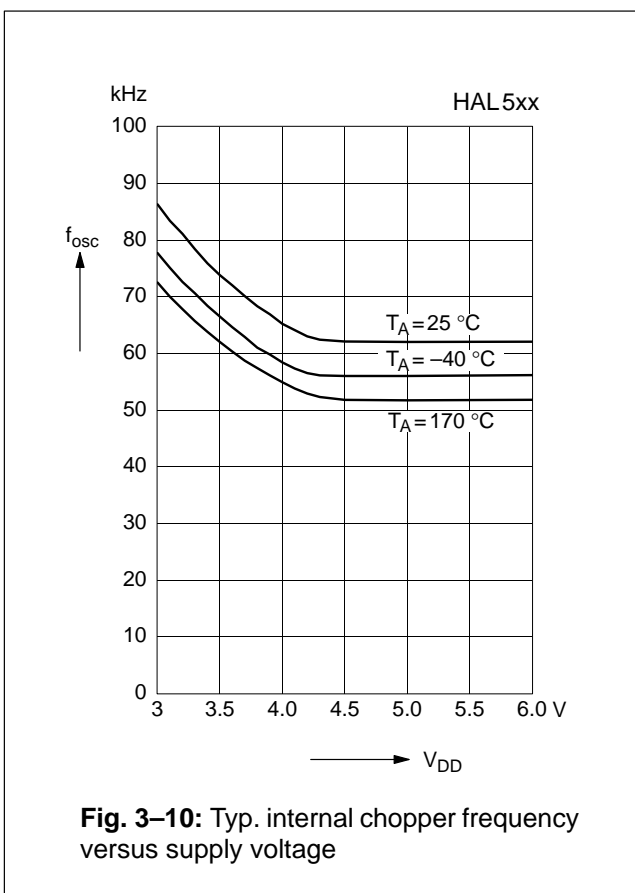
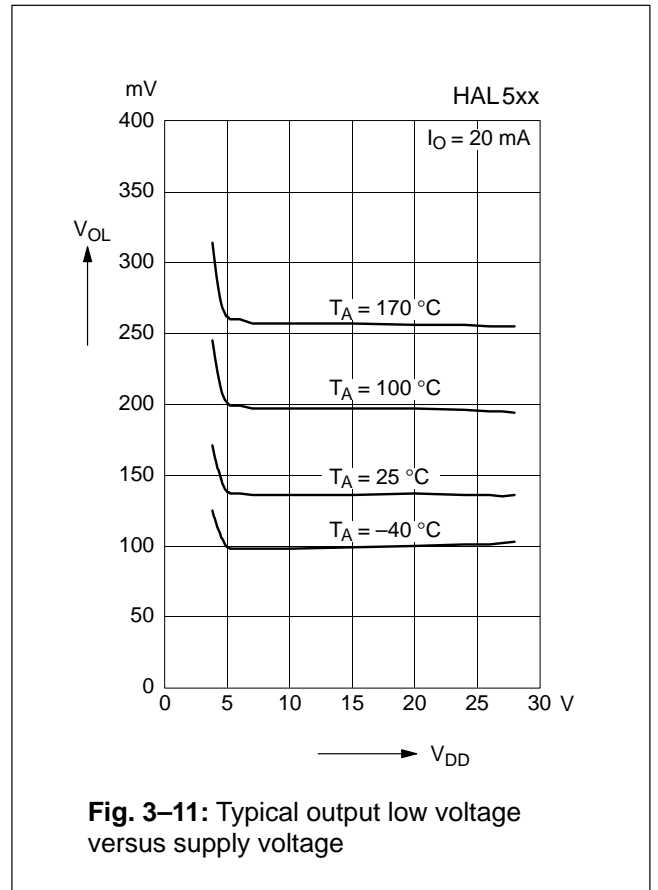
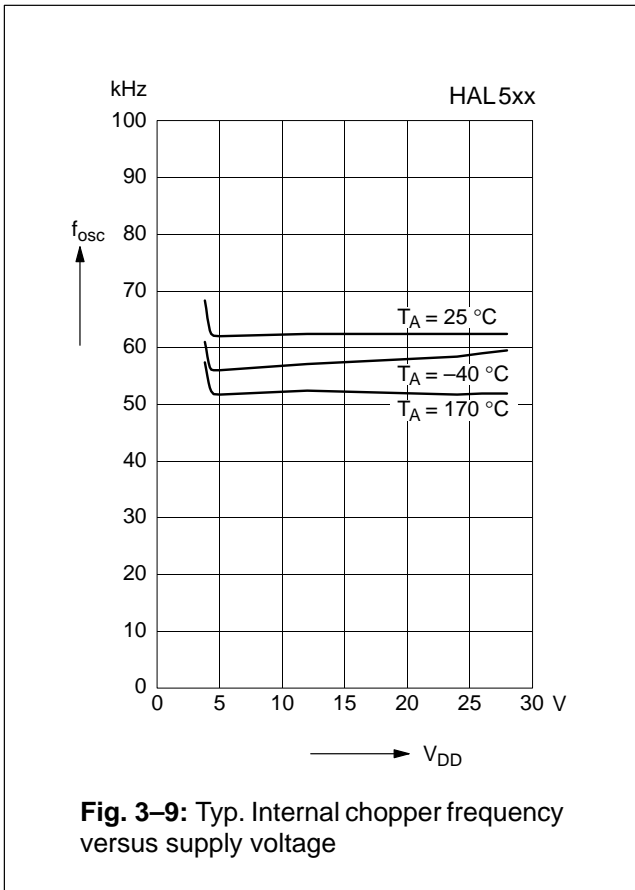
Magnetic flux density values of switching points.

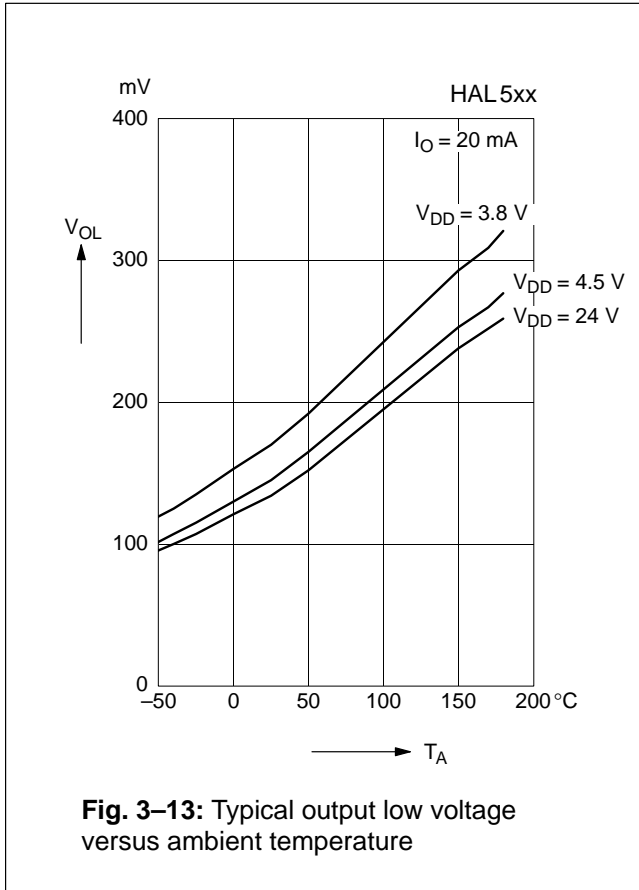
Positive flux density values refer to the magnetic south pole at the branded side of the package.

Sensor Switching type	Parameter $T_J$	On point $B_{ON}$			Off point $B_{OFF}$			Hysteresis $B_{HYS}$			Unit
		Min.	Typ.	Max.	Min.	Typ.	Max.	Min.	Typ.	Max.	
HAL 501 bipolar	-40 °C	-0.8	0.6	2.5	-2.5	-0.8	0.8	0.5	1.4	2	mT
	25 °C	-0.5	0.5	2.3	-2.3	-0.7	0.5	0.5	1.2	1.9	mT
	170 °C	-1.5	0.7	3	-2.5	-0.2	2	0.4	0.9	1.8	mT
HAL 502 latching	-40 °C	1	2.8	5	-5	-2.8	-1	4.5	5.6	7.2	mT
	25 °C	1	2.6	4.5	-4.5	-2.6	-1	4.5	5.2	7	mT
	170 °C	0.9	2.3	4.3	-4.3	-2.3	-0.9	3.5	4.6	6.8	mT
HAL 503 latching	-40 °C	6.4	8.6	10.8	-10.8	-8.6	-6.4	14.6	17.2	20.6	mT
	25 °C	6	8	10	-10	-8	-6	13.6	16	18	mT
	170 °C	4	6.4	8.9	-8.9	-6	-4	11	12.4	16	mT
HAL 504 unipolar	-40 °C	10.3	13	15.7	5.3	7.5	9.6	4.4	5.5	6.5	mT
	25 °C	9.5	12	14.5	5	7	9	4	5	6.5	mT
	170 °C	8.5	10.2	13.7	4.2	5.9	8.5	3.2	4.3	6.4	mT
HAL 505 latching	-40 °C	11.8	15	18.3	-18.3	-15	-11.8	26	30	34	mT
	25 °C	11	13.5	17	-17	-13.5	-11	24	27	32	mT
	170 °C	9.4	11.7	16.1	-16.1	-11.7	-9.4	20	23.4	31.3	mT
HAL 506 unipolar	-40 °C	4.3	5.9	7.7	2.1	3.8	5.4	1.6	2.1	2.8	mT
	25 °C	3.8	5.5	7.2	2	3.5	5	1.5	2	2.7	mT
	170 °C	3.2	4.6	6.8	1.7	3	5.2	0.9	1.6	2.6	mT
HAL 508 unipolar	-40 °C	15.5	19	21.9	14	16.7	20	1.6	2.3	2.8	mT
	25 °C	15	18	20.7	13.5	16	19	1.5	2	2.7	mT
	170 °C	12.7	15.3	20	11.4	13.6	18.3	1	1.7	2.6	mT
HAL 509 unipolar	-40 °C	23.1	27.4	31.1	19.9	23.8	27.2	2.9	3.6	3.9	mT
	25 °C	23.1	26.8	30.4	19.9	23.2	26.6	2.8	3.5	3.9	mT
	170 °C	21.3	25.4	28.9	18.3	22.1	25.3	2.5	3.3	3.8	mT
HAL 516 unipolar inverted	-40 °C	2.1	3.8	5.4	4.3	5.9	7.7	1.6	2.1	2.8	mT
	25 °C	2	3.5	5	3.8	5.5	7.2	1.5	2	2.7	mT
	170 °C	1.7	3	5.2	3.2	4.6	6.8	0.9	1.6	2.6	mT
HAL 517 unipolar inverted	-40 °C	14	17.1	21.5	15.5	19.6	22.5	1.6	2.5	3	mT
	25 °C	13.5	16.2	19	15	18.3	20.7	1.5	2.1	2.7	mT
	170 °C	9	12.3	18	10.5	13.7	20	0.8	1.4	2.4	mT
HAL 518 unipolar inverted	-40 °C	14	16.7	20	15.5	19	22	1.5	2.3	3	mT
	25 °C	13.5	16	19	15	18	20.7	1.4	2	2.8	mT
	170 °C	11	13.6	18.3	12.2	15.3	20	0.8	1.7	2.6	mT

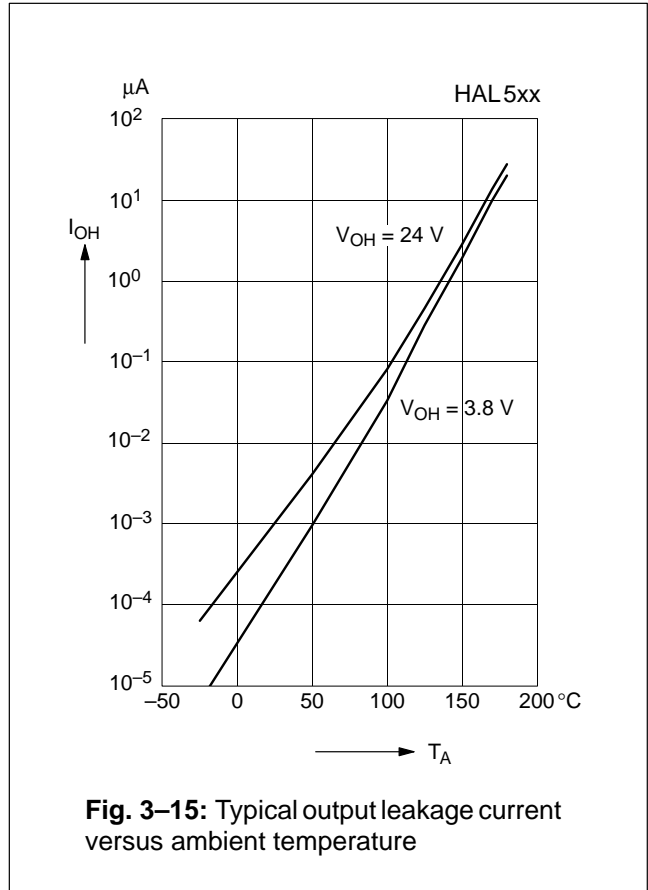
**Note:** For detailed descriptions of the individual types, see pages 14 and following.



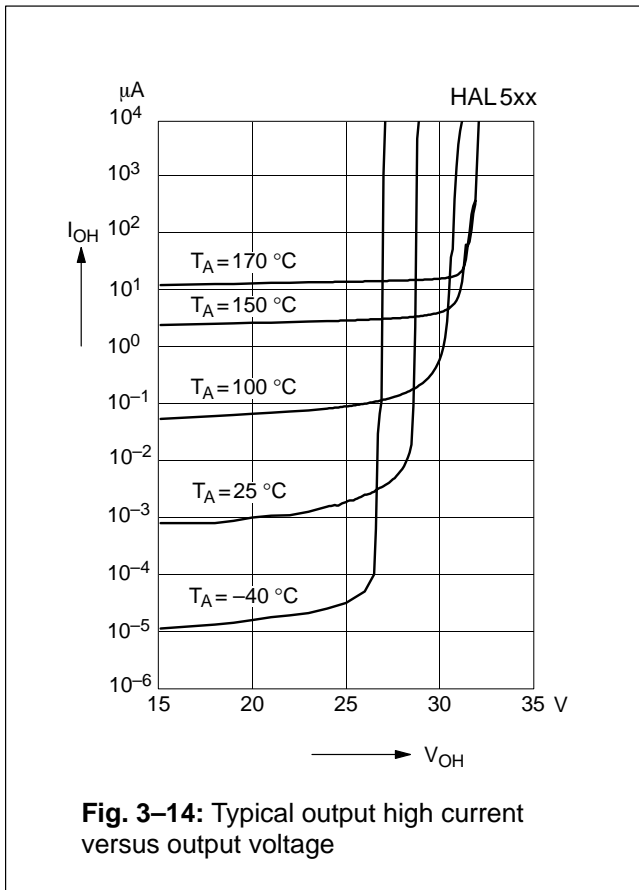




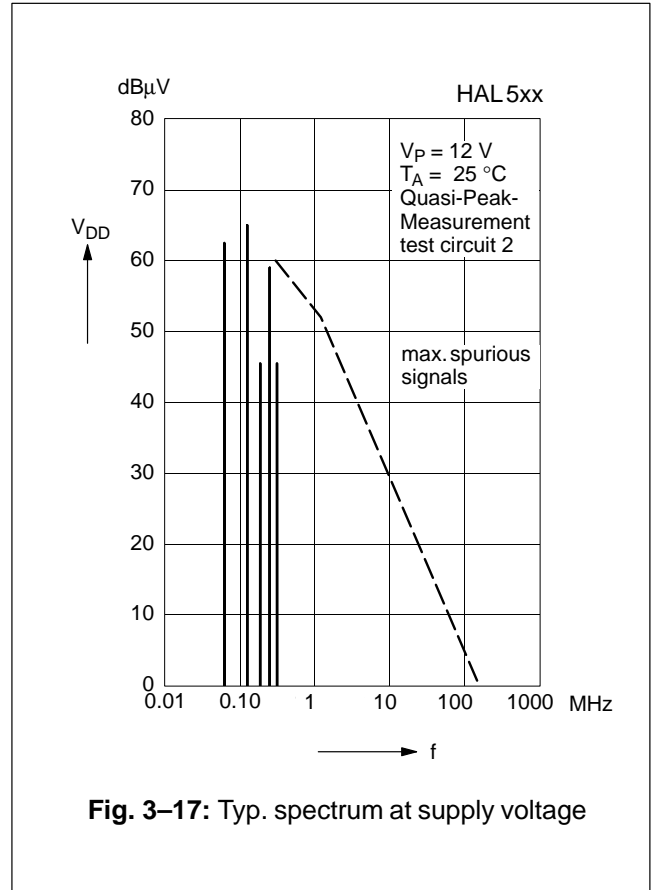
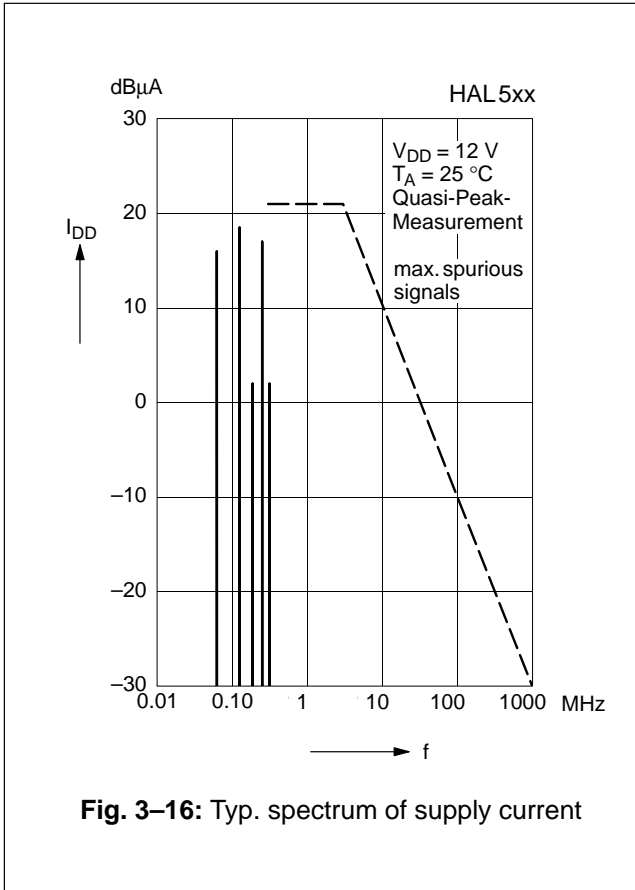
**Fig. 3-13:** Typical output low voltage versus ambient temperature



**Fig. 3-15:** Typical output leakage current versus ambient temperature



**Fig. 3-14:** Typical output high current versus output voltage



## 4. Type Description

### 4.1. HAL 501

The HAL 501 is the most sensitive sensor of this family with bipolar switching behavior (see Fig. 4–1).

The output turns low with the magnetic south pole on the branded side of the package and turns high with the magnetic north pole on the branded side. The output state is not defined for all sensors if the magnetic field is removed again. Some sensors will change the output state and some sensors will not.

For correct functioning in the application, the sensor requires both magnetic polarities (north and south) on the branded side of the package.

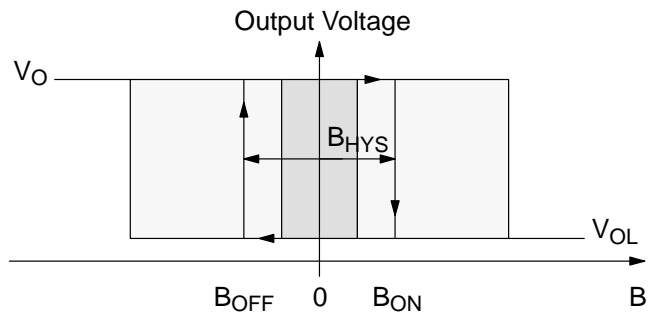
#### Magnetic Features:

- switching type: bipolar
- very high sensitivity
- typical  $B_{ON}$ : 0.5 mT at room temperature
- typical  $B_{OFF}$ : -0.7 mT at room temperature
- operates with static magnetic fields and dynamic magnetic fields up to 10 kHz

## Applications

The HAL 501 is the optimal sensor for all applications with alternating magnetic signals and weak magnetic amplitude at the sensor position such as:

- applications with large airgap or weak magnets,
- rotating speed measurement,
- CAM shaft sensors, and
- magnetic encoders.



**Fig. 4–1:** Definition of magnetic switching points for the HAL501

**Magnetic Characteristics** at  $T_J = -40\text{ °C}$  to  $+170\text{ °C}$ ,  $V_{DD} = 3.8\text{ V}$  to  $24\text{ V}$ , Typical Characteristics for  $V_{DD} = 12\text{ V}$

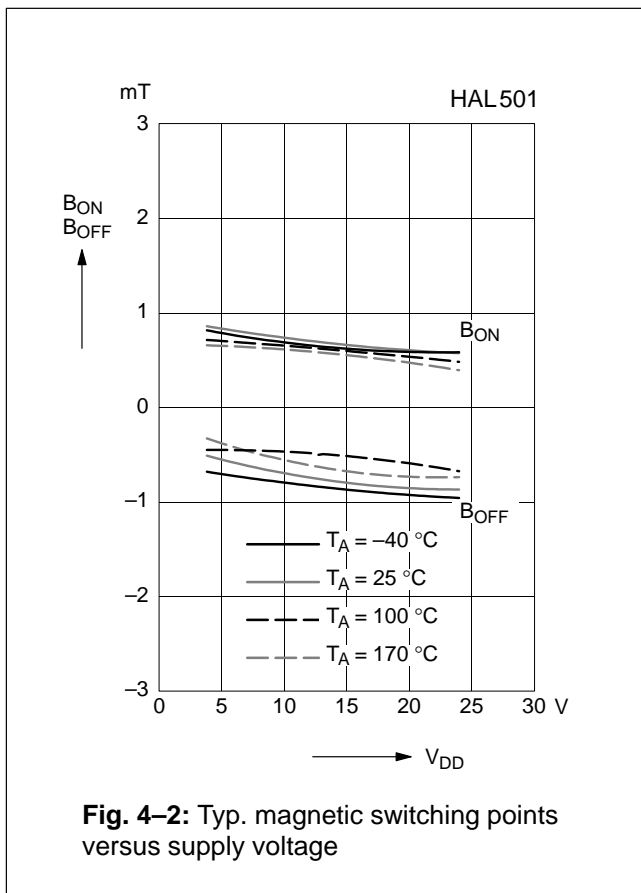
Magnetic flux density values of switching points.

Positive flux density values refer to the magnetic south pole at the branded side of the package.

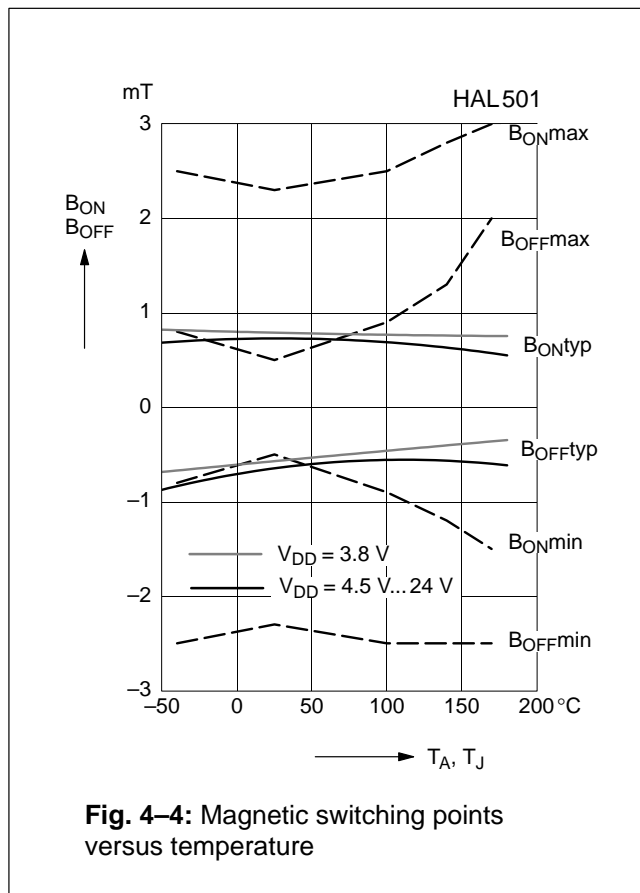
Parameter $T_J$	On point $B_{ON}$			Off point $B_{OFF}$			Hysteresis $B_{HYS}$			Magnetic Offset $B_{OFFSET}$			Unit
	Min.	Typ.	Max.	Min.	Typ.	Max.	Min.	Typ.	Max.	Min.	Typ.	Max.	
-40 °C	-0.8	0.6	2.5	-2.5	-0.8	0.8	0.5	1.4	2		-0.1		mT
25 °C	-0.5	0.5	2.3	-2.3	-0.7	0.5	0.5	1.2	1.9	-1.4	-0.1	1.4	mT
100 °C	-0.9	0.5	2.5	-2.5	-0.6	0.9	0.5	1.1	1.8	0			mT
140 °C	-1.2	0.6	2.8	-2.5	-0.5	1.3	0.5	1.1	1.8	0			mT
170 °C	-1.5	0.7	3	-2.5	-0.2	2	0.4	0.9	1.8	0.2			mT

The hysteresis is the difference between the switching points  $B_{HYS} = B_{ON} - B_{OFF}$

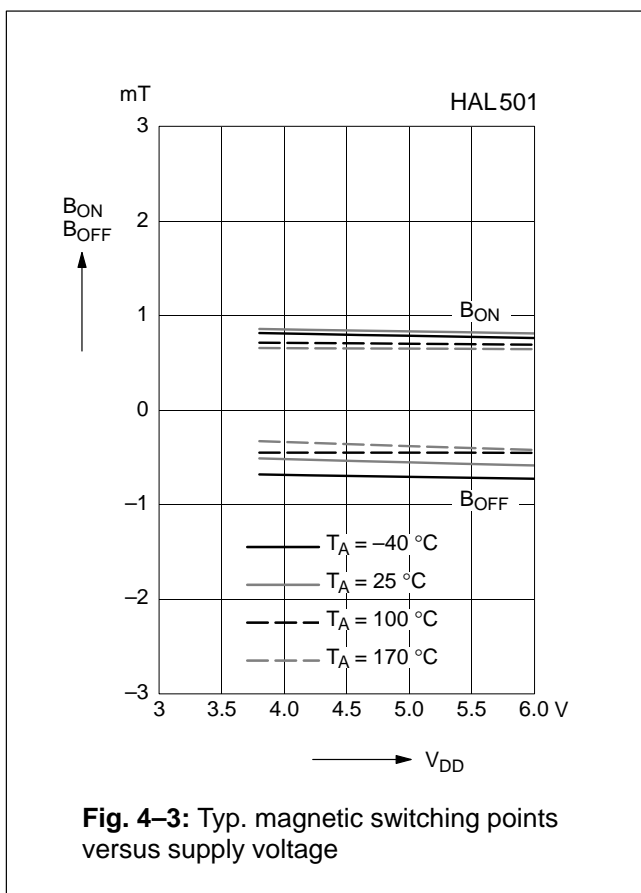
The magnetic offset is the mean value of the switching points  $B_{OFFSET} = (B_{ON} + B_{OFF}) / 2$



**Fig. 4-2:** Typ. magnetic switching points versus supply voltage



**Fig. 4-4:** Magnetic switching points versus temperature



**Fig. 4-3:** Typ. magnetic switching points versus supply voltage

**Note:** In the diagram “Magnetic switching points versus temperature” the curves for  $B_{ONmin}$ ,  $B_{ONmax}$ ,  $B_{OFFmin}$ , and  $B_{OFFmax}$  refer to junction temperature, whereas typical curves refer to ambient temperature.

## 4.2. HAL 502

The HAL 502 is the most sensitive latching sensor of this family (see Fig. 4–5).

The output turns low with the magnetic south pole on the branded side of the package and turns high with the magnetic north pole on the branded side. The output does not change if the magnetic field is removed. For changing the output state, the opposite magnetic field polarity must be applied.

For correct functioning in the application, the sensor requires both magnetic polarities (north and south) on the branded side of the package.

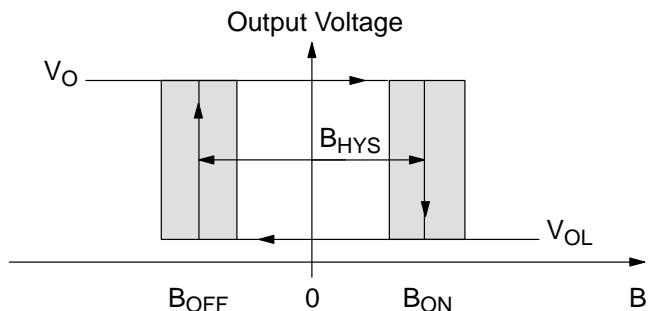
### Magnetic Features:

- switching type: latching
- high sensitivity
- typical  $B_{ON}$ : 2.6 mT at room temperature
- typical  $B_{OFF}$ : –2.6 mT at room temperature
- operates with static magnetic fields and dynamic magnetic fields up to 10 kHz
- typical temperature coefficient of magnetic switching points is –1000 ppm/K

## Applications

The HAL 502 is the optimal sensor for all applications with alternating magnetic signals and weak magnetic amplitude at the sensor position such as:

- applications with large airgap or weak magnets,
- rotating speed measurement,
- commutation of brushless DC motors,
- CAM shaft sensors, and
- magnetic encoders.



**Fig. 4–5:** Definition of magnetic switching points for the HAL502

**Magnetic Characteristics** at  $T_J = -40\text{ °C}$  to  $+170\text{ °C}$ ,  $V_{DD} = 3.8\text{ V}$  to  $24\text{ V}$ , Typical Characteristics for  $V_{DD} = 12\text{ V}$

Magnetic flux density values of switching points.

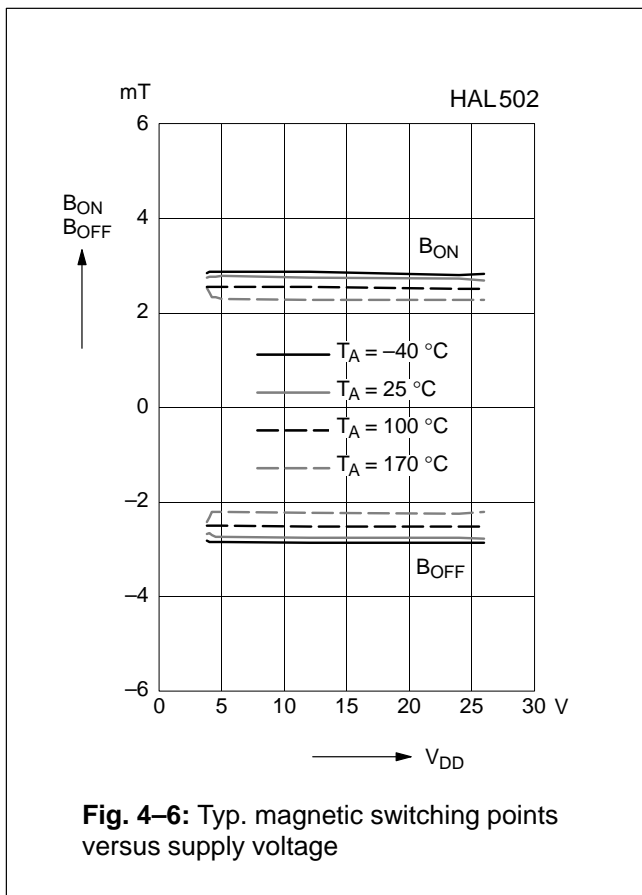
Positive flux density values refer to the magnetic south pole at the branded side of the package.

Parameter $T_J$	On point $B_{ON}$			Off point $B_{OFF}$			Hysteresis $B_{HYS}$			Magnetic Offset			Unit
	Min.	Typ.	Max.	Min.	Typ.	Max.	Min.	Typ.	Max.	Min.	Typ.	Max.	
–40 °C	1	2.8	5	–5	–2.8	–1	4.5	5.6	7.2		0		mT
25 °C	1	2.6	4.5	–4.5	–2.6	–1	4.5	5.2	7	–1.5	0	1.5	mT
100 °C	0.95	2.5	4.4	–4.4	–2.5	–0.95	4	5	6.8		0		mT
140 °C	0.9	2.4	4.3	–4.3	–2.4	–0.9	3.7	4.8	6.8		0		mT
170 °C	0.9	2.3	4.3	–4.3	–2.3	–0.9	3.5	4.6	6.8		0		mT

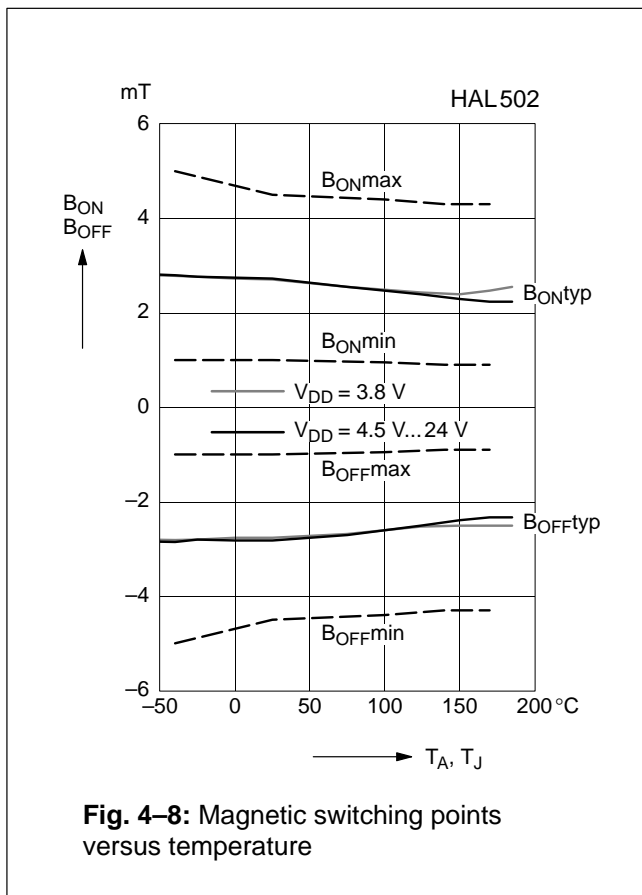
The hysteresis is the difference between the switching points  $B_{HYS} = B_{ON} - B_{OFF}$

The magnetic offset is the mean value of the switching points  $B_{OFFSET} = (B_{ON} + B_{OFF}) / 2$

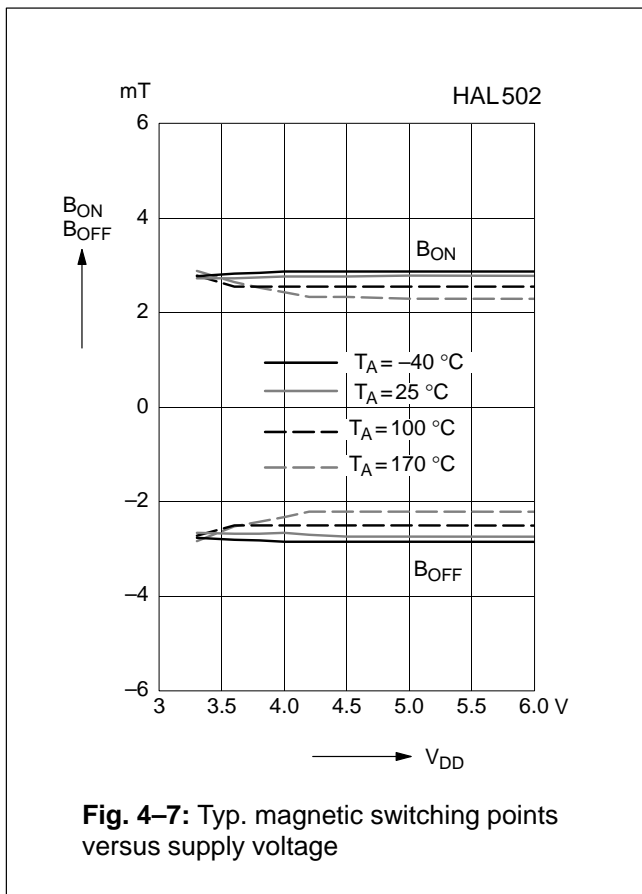




**Fig. 4-6:** Typ. magnetic switching points versus supply voltage



**Fig. 4-8:** Magnetic switching points versus temperature



**Fig. 4-7:** Typ. magnetic switching points versus supply voltage

**Note:** In the diagram “Magnetic switching points versus temperature” the curves for  $B_{ONmin}$ ,  $B_{ONmax}$ ,  $B_{OFFmin}$ , and  $B_{OFFmax}$  refer to junction temperature, whereas typical curves refer to ambient temperature.

### 4.3. HAL 503

The HAL 503 is a latching sensor (see Fig. 4–9).

The output turns low with the magnetic south pole on the branded side of the package and turns high with the magnetic north pole on the branded side. The output does not change if the magnetic field is removed. For changing the output state, the opposite magnetic field polarity must be applied.

For correct functioning in the application, the sensor requires both magnetic polarities (north and south) on the branded side of the package.

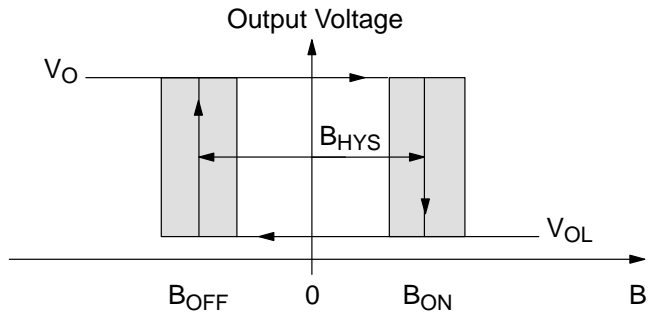
#### Magnetic Features:

- switching type: latching
- medium sensitivity
- typical  $B_{ON}$ : 7.6 mT at room temperature
- typical  $B_{OFF}$ : -7.6 mT at room temperature
- operates with static magnetic fields and dynamic magnetic fields up to 10 kHz
- typical temperature coefficient of magnetic switching points is -1000 ppm/K

### Applications

The HAL 503 is the optimal sensor for applications with alternating magnetic signals such as:

- multipole magnet applications,
- rotating speed measurement,
- commutation of brushless DC motors, and
- window lifter.



**Fig. 4–9:** Definition of magnetic switching points for the HAL503

**Magnetic Characteristics** at  $T_J = -40\text{ °C}$  to  $+170\text{ °C}$ ,  $V_{DD} = 3.8\text{ V}$  to  $24\text{ V}$ ,  
Typical Characteristics for  $V_{DD} = 12\text{ V}$

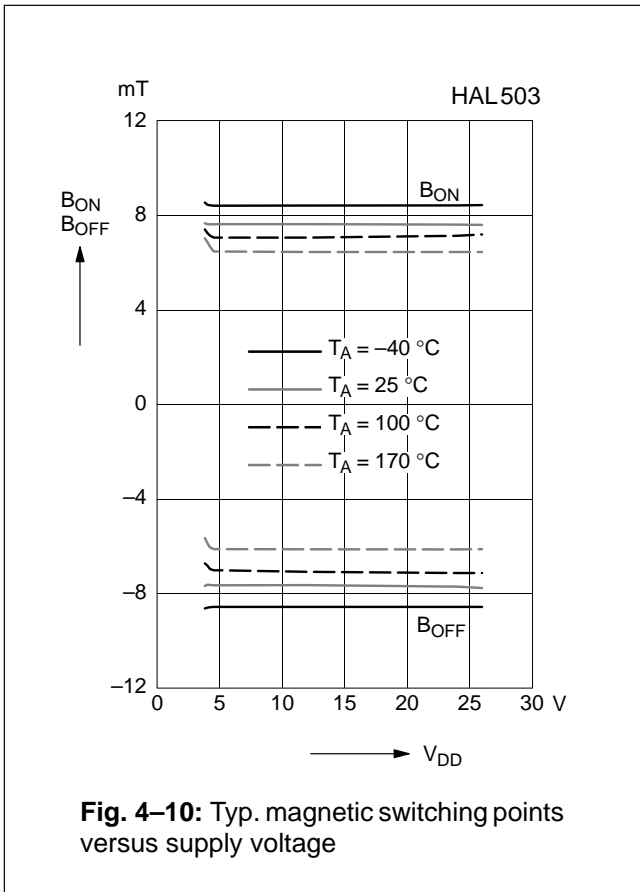
Magnetic flux density values of switching points.

Positive flux density values refer to the magnetic south pole at the branded side of the package.

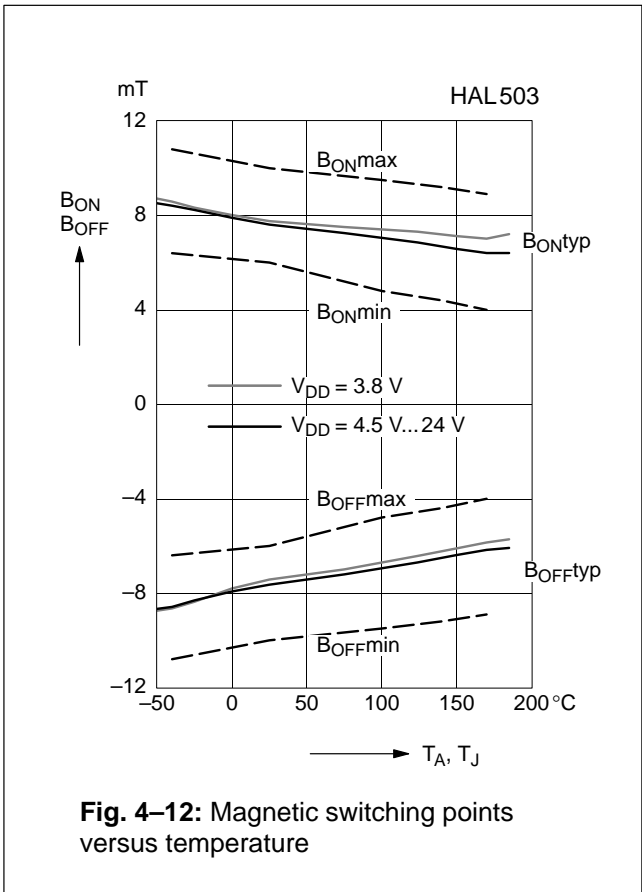
Parameter $T_J$	On point $B_{ON}$			Off point $B_{OFF}$			Hysteresis $B_{HYS}$			Magnetic Offset			Unit
	Min.	Typ.	Max.	Min.	Typ.	Max.	Min.	Typ.	Max.	Min.	Typ.	Max.	
-40 °C	6.4	8.4	10.8	-10.8	-8.6	-6.4	14.6	17	20.6		-0.1		mT
25 °C	6	7.6	10	-10	-7.6	-6	13.6	15.2	18	-1.5	0	1.5	mT
100 °C	4.8	7.1	9.5	-9.5	-6.9	-4.8	12.3	14	17		0.1		mT
140 °C	4.4	6.7	9.2	-9.2	-6.4	-4.4	11.5	13.1	16.5		0.1		mT
170 °C	4	6.4	8.9	-8.9	-6	-4	11	12.4	16		0.2		mT

The hysteresis is the difference between the switching points  $B_{HYS} = B_{ON} - B_{OFF}$

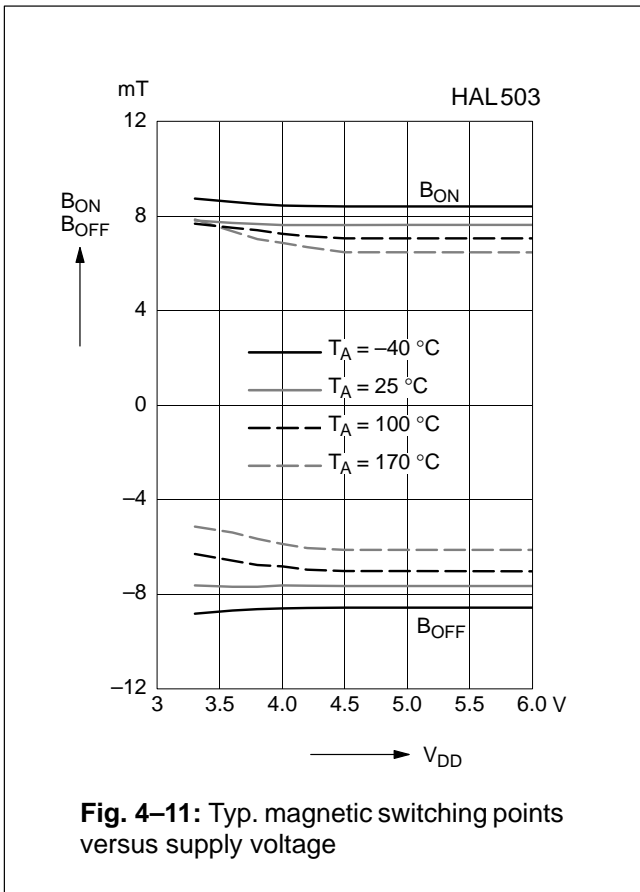
The magnetic offset is the mean value of the switching points  $B_{OFFSET} = (B_{ON} + B_{OFF}) / 2$



**Fig. 4-10:** Typ. magnetic switching points versus supply voltage



**Fig. 4-12:** Magnetic switching points versus temperature



**Fig. 4-11:** Typ. magnetic switching points versus supply voltage

**Note:** In the diagram “Magnetic switching points versus ambient temperature” the curves for  $B_{ONmin}$ ,  $B_{ONmax}$ ,  $B_{OFFmin}$ , and  $B_{OFFmax}$  refer to junction temperature, whereas typical curves refer to ambient temperature.

## 4.4. HAL 504

The HAL 504 is a unipolar switching sensor (see Fig. 4–13).

The output turns low with the magnetic south pole on the branded side of the package and turns high if the magnetic field is removed. The sensor does not respond to the magnetic north pole on the branded side.

For correct functioning in the application, the sensor requires only the magnetic south pole on the branded side of the package.

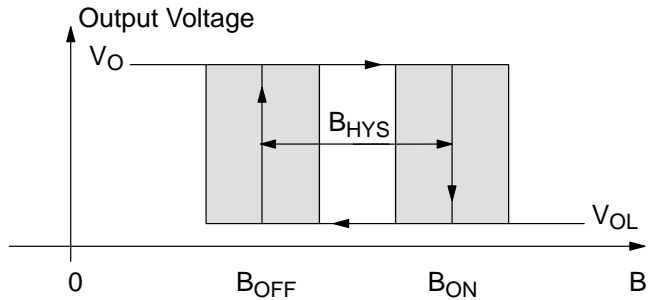
### Magnetic Features:

- switching type: unipolar
- medium sensitivity
- typical  $B_{ON}$ : 12 mT at room temperature
- typical  $B_{OFF}$ : 7 mT at room temperature
- operates with static magnetic fields and dynamic magnetic fields up to 10 kHz
- typical temperature coefficient of magnetic switching points is  $-1000$  ppm/K

## Applications

The HAL 504 is the optimal sensor for applications with one magnetic polarity such as:

- solid state switches,
- contactless solution to replace micro switches,
- position and end-point detection, and
- rotating speed measurement.



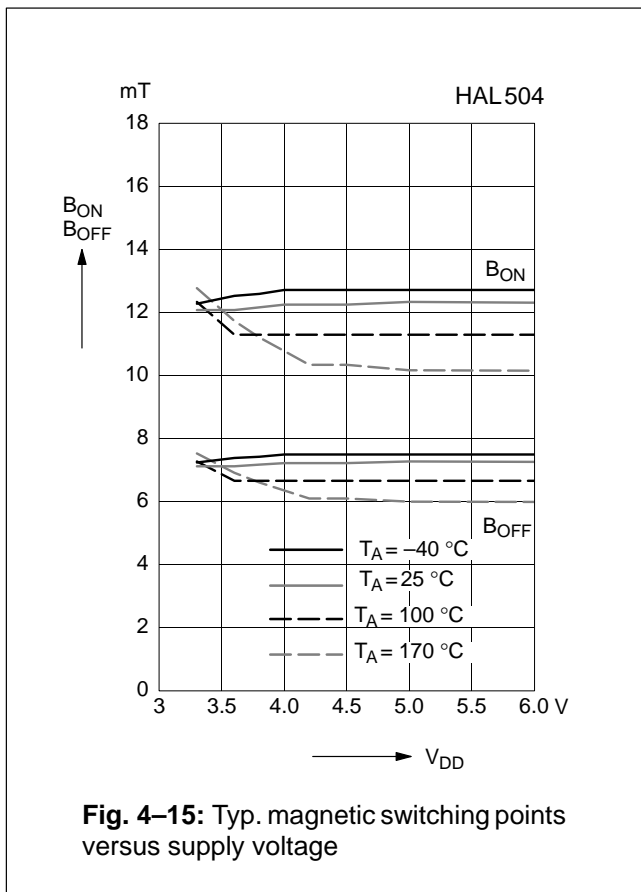
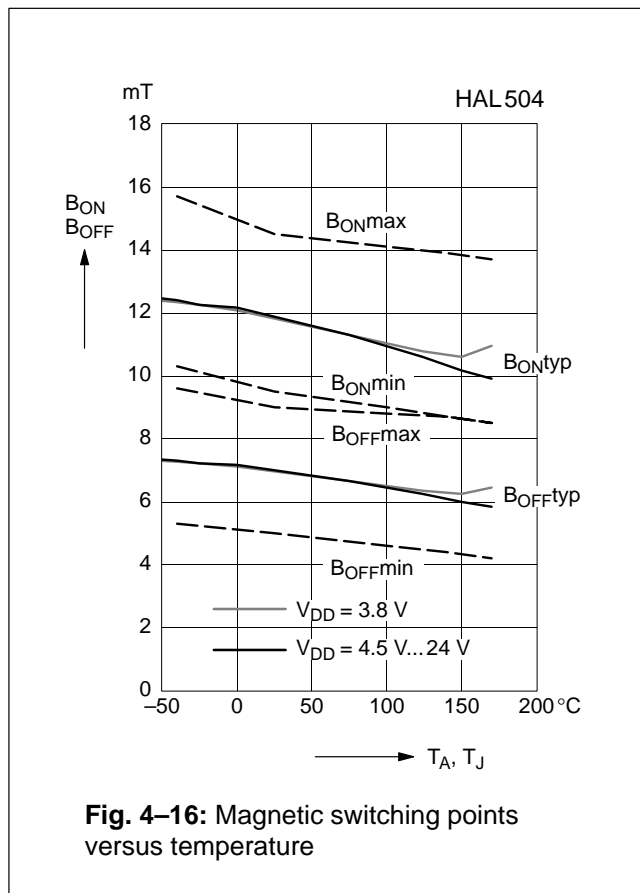
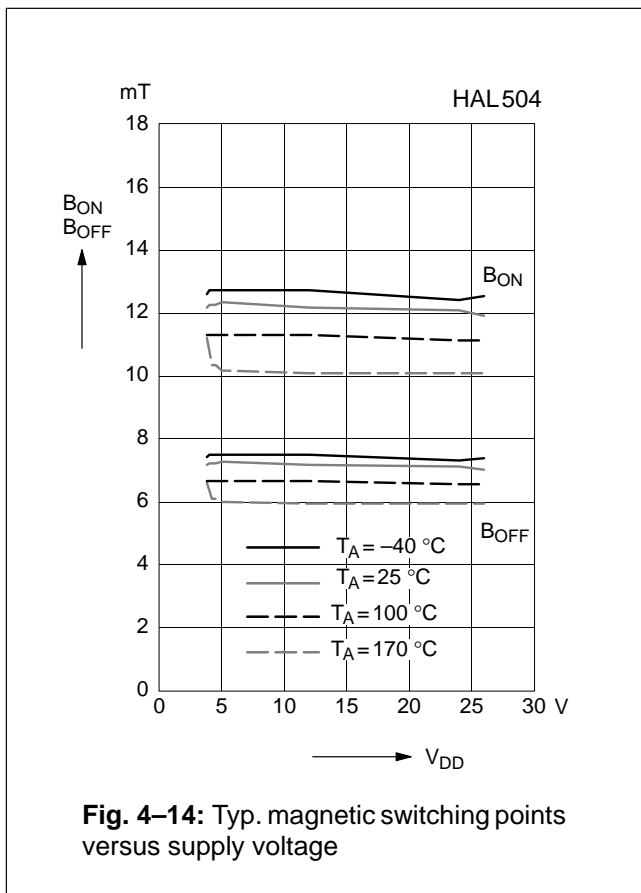
**Fig. 4–13:** Definition of magnetic switching points for the HAL 504

**Magnetic Characteristics** at  $T_J = -40$  °C to  $+170$  °C,  $V_{DD} = 3.8$  V to 24 V,  
Typical Characteristics for  $V_{DD} = 12$  V

Magnetic flux density values of switching points.  
Positive flux density values refer to the magnetic south pole at the branded side of the package.

Parameter $T_J$	On point $B_{ON}$			Off point $B_{OFF}$			Hysteresis $B_{HYS}$			Magnetic Offset			Unit
	Min.	Typ.	Max.	Min.	Typ.	Max.	Min.	Typ.	Max.	Min.	Typ.	Max.	
$-40$ °C	10.3	13	15.7	5.3	7.5	9.6	4.4	5.5	6.5		10.2		mT
$25$ °C	9.5	12	14.5	5	7	9	4	5	6.5	7.2	9.5	11.8	mT
$100$ °C	9	11.1	14.1	4.6	6.4	8.7	3.6	4.7	6.4		8.8		mT
$140$ °C	8.7	10.6	13.9	4.4	6.1	8.6	3.4	4.5	6.4		8.4		mT
$170$ °C	8.5	10.2	13.7	4.2	5.9	8.5	3.2	4.3	6.4		8		mT

The hysteresis is the difference between the switching points  $B_{HYS} = B_{ON} - B_{OFF}$   
The magnetic offset is the mean value of the switching points  $B_{OFFSET} = (B_{ON} + B_{OFF}) / 2$



**Note:** In the diagram “Magnetic switching points versus temperature” the curves for  $B_{ONmin}$ ,  $B_{ONmax}$ ,  $B_{OFFmin}$ , and  $B_{OFFmax}$  refer to junction temperature, whereas typical curves refer to ambient temperature.

## 4.5. HAL 505

The HAL 505 is a latching sensor (see Fig. 4–17).

The output turns low with the magnetic south pole on the branded side of the package and turns high with the magnetic north pole on the branded side. The output does not change if the magnetic field is removed. For changing the output state, the opposite magnetic field polarity must be applied.

For correct functioning in the application, the sensor requires both magnetic polarities (north and south) on the branded side of the package.

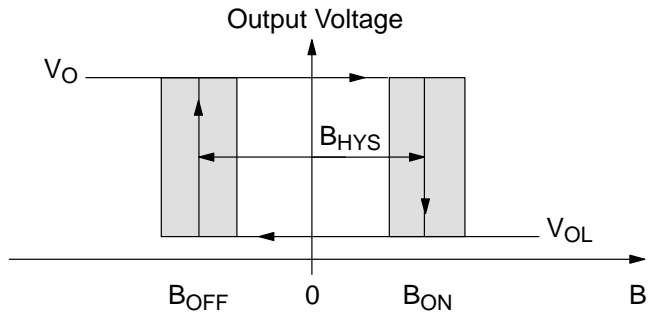
### Magnetic Features:

- switching type: latching
- low sensitivity
- typical  $B_{ON}$ : 13.5 mT at room temperature
- typical  $B_{OFF}$ : –13.5 mT at room temperature
- operates with static magnetic fields and dynamic magnetic fields up to 10 kHz
- typical temperature coefficient of magnetic switching points is –1000 ppm/K

## Applications

The HAL 505 is the optimal sensor for applications with alternating magnetic signals such as:

- multipole magnet applications,
- rotating speed measurement,
- commutation of brushless DC motors, and
- window lifter.



**Fig. 4–17:** Definition of magnetic switching points for the HAL 505

**Magnetic Characteristics** at  $T_J = -40\text{ °C}$  to  $+170\text{ °C}$ ,  $V_{DD} = 3.8\text{ V}$  to  $24\text{ V}$ , Typical Characteristics for  $V_{DD} = 12\text{ V}$

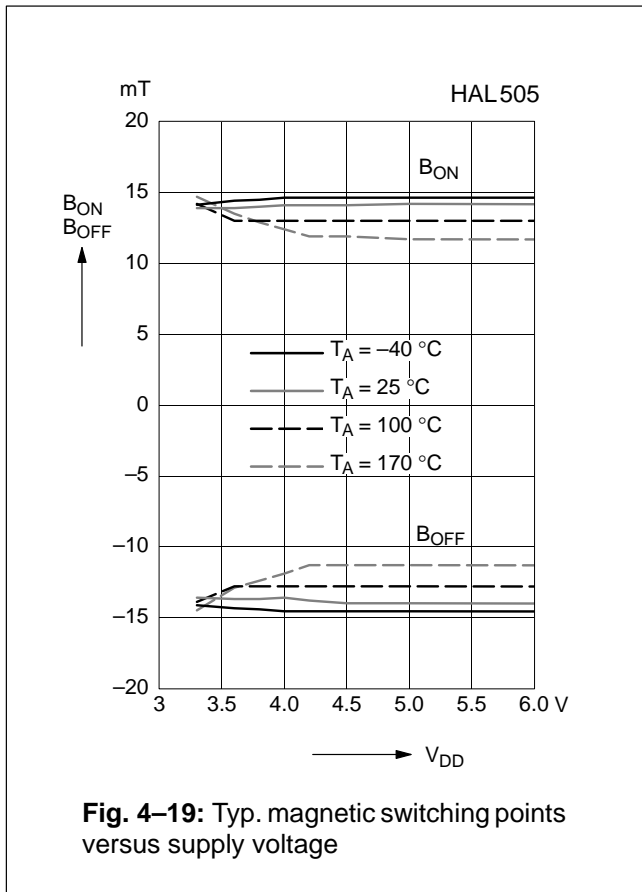
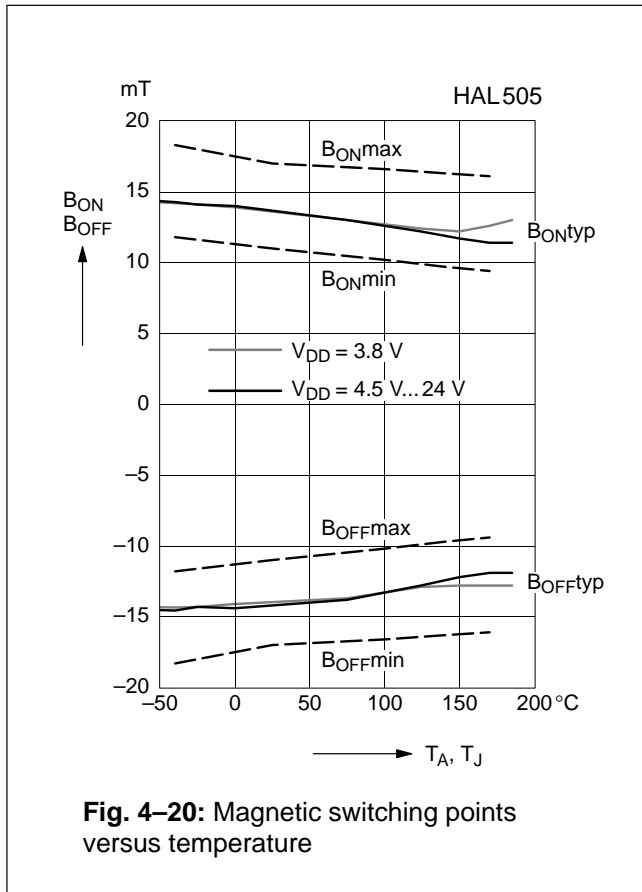
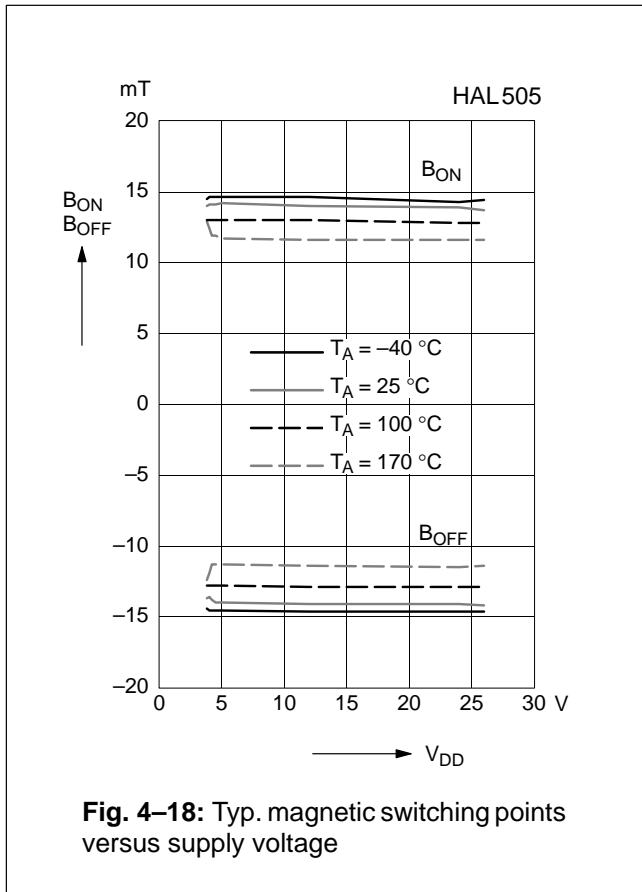
Magnetic flux density values of switching points.

Positive flux density values refer to the magnetic south pole at the branded side of the package.

Parameter $T_J$	On point $B_{ON}$			Off point $B_{OFF}$			Hysteresis $B_{HYS}$			Magnetic Offset			Unit
	Min.	Typ.	Max.	Min.	Typ.	Max.	Min.	Typ.	Max.	Min.	Typ.	Max.	
–40 °C	11.8	15	18.3	–18.3	–15	–11.8	26	30	34		0		mT
25 °C	11	13.5	17	–17	–13.5	–11	24	27	32	–1.5	0	1.5	mT
100 °C	10.2	12.4	16.6	–16.6	–12.4	–10.2	22	24.8	31.3		0		mT
140 °C	9.7	12	16.3	–16.3	–12	–9.7	21	24.2	31.3		0		mT
170 °C	9.4	11.7	16.1	–16.1	–11.7	–9.4	20	23.4	31.3		0		mT

The hysteresis is the difference between the switching points  $B_{HYS} = B_{ON} - B_{OFF}$

The magnetic offset is the mean value of the switching points  $B_{OFFSET} = (B_{ON} + B_{OFF}) / 2$



**Note:** In the diagram “Magnetic switching points versus ambient temperature” the curves for  $B_{ONmin}$ ,  $B_{ONmax}$ ,  $B_{OFFmin}$ , and  $B_{OFFmax}$  refer to junction temperature, whereas typical curves refer to ambient temperature.

## 4.6. HAL 506

The HAL 506 is the most sensitive unipolar switching sensor of this family (see Fig. 4–21).

The output turns low with the magnetic south pole on the branded side of the package and turns high if the magnetic field is removed. The sensor does not respond to the magnetic north pole on the branded side.

For correct functioning in the application, the sensor requires only the magnetic south pole on the branded side of the package.

In the HAL5xx family, the HAL516 is a sensor with the same magnetic characteristics but with an inverted output characteristic.

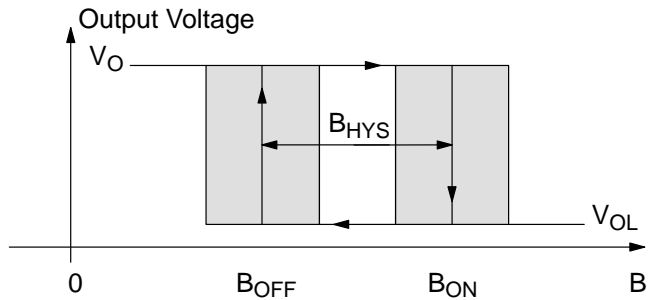
### Magnetic Features:

- switching type: unipolar
- high sensitivity
- typical  $B_{ON}$ : 5.5 mT at room temperature
- typical  $B_{OFF}$ : 3.5 mT at room temperature
- operates with static magnetic fields and dynamic magnetic fields up to 10 kHz
- typical temperature coefficient of magnetic switching points is  $-1000$  ppm/K

## Applications

The HAL 506 is the optimal sensor for all applications with one magnetic polarity and weak magnetic amplitude at the sensor position such as:

- applications with large airgap or weak magnets,
- solid state switches,
- contactless solution to replace micro switches,
- position and end point detection, and
- rotating speed measurement.



**Fig. 4–21:** Definition of magnetic switching points for the HAL506

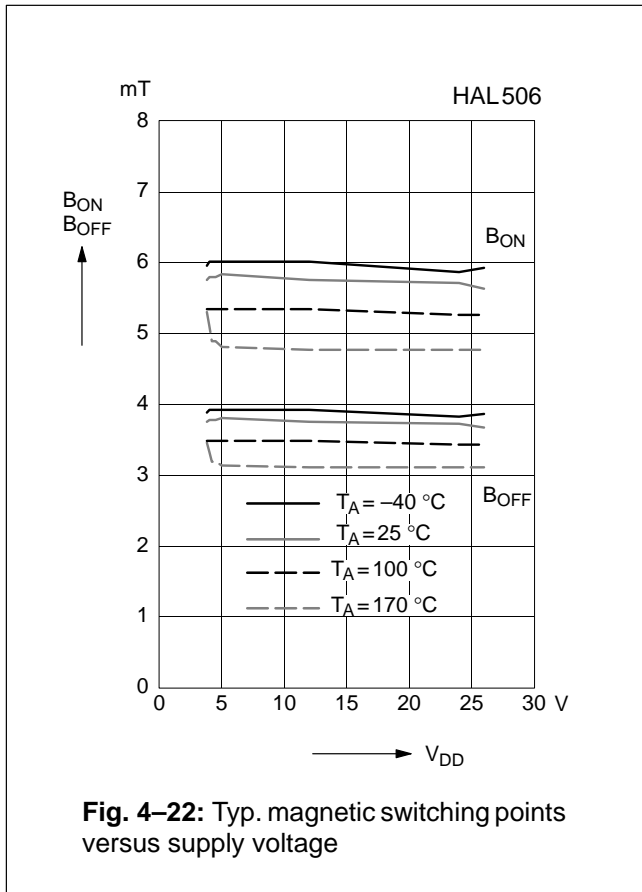
**Magnetic Characteristics** at  $T_J = -40\text{ °C}$  to  $+170\text{ °C}$ ,  $V_{DD} = 3.8\text{ V}$  to  $24\text{ V}$ , Typical Characteristics for  $V_{DD} = 12\text{ V}$

Magnetic flux density values of switching points. Positive flux density values refer to the magnetic south pole at the branded side of the package.

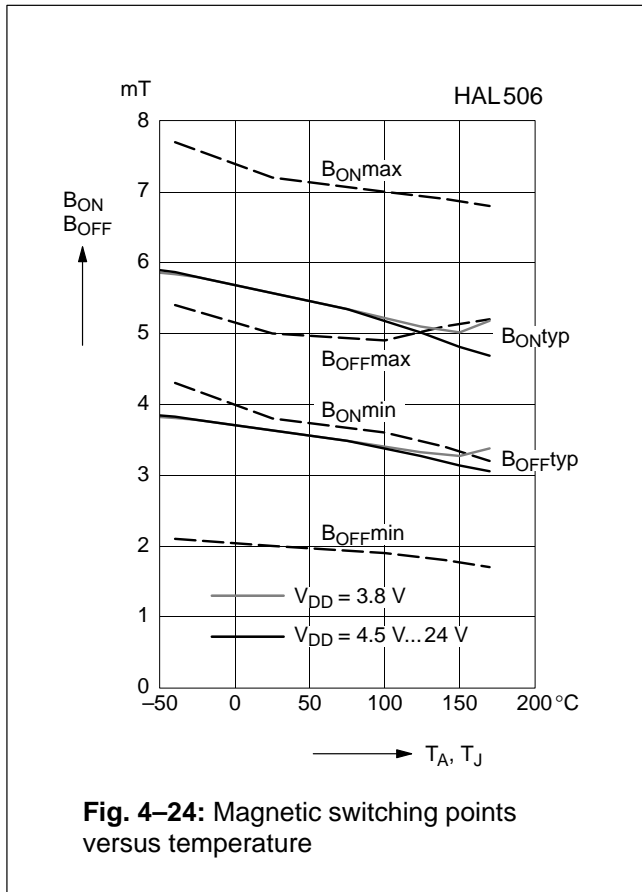
Parameter $T_J$	On point $B_{ON}$			Off point $B_{OFF}$			Hysteresis $B_{HYS}$			Magnetic Offset			Unit
	Min.	Typ.	Max.	Min.	Typ.	Max.	Min.	Typ.	Max.	Min.	Typ.	Max.	
$-40\text{ °C}$	4.3	5.9	7.7	2.1	3.8	5.4	1.6	2.1	2.8		4.8		mT
$25\text{ °C}$	3.8	5.5	7.2	2	3.5	5	1.5	2	2.7	3.8	4.5	6.2	mT
$100\text{ °C}$	3.6	5.1	7	1.9	3.3	4.9	1.2	1.8	2.6		4.2		mT
$140\text{ °C}$	3.4	4.8	6.9	1.8	3.1	5.1	1	1.7	2.6		4		mT
$170\text{ °C}$	3.2	4.6	6.8	1.7	3	5.2	0.9	1.6	2.6		3.8		mT

The hysteresis is the difference between the switching points  $B_{HYS} = B_{ON} - B_{OFF}$   
 The magnetic offset is the mean value of the switching points  $B_{OFFSET} = (B_{ON} + B_{OFF}) / 2$

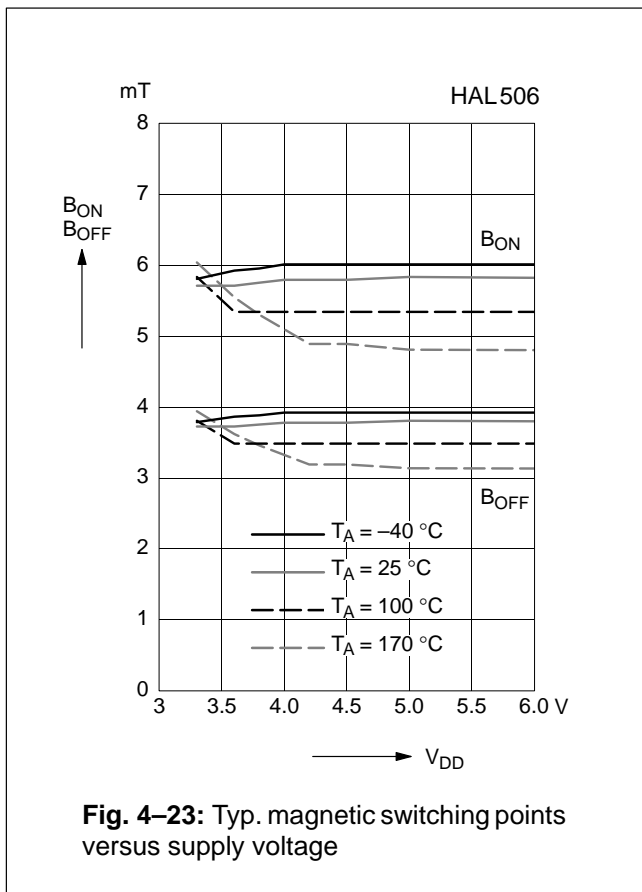




**Fig. 4-22:** Typ. magnetic switching points versus supply voltage



**Fig. 4-24:** Magnetic switching points versus temperature



**Fig. 4-23:** Typ. magnetic switching points versus supply voltage

**Note:** In the diagram “Magnetic switching points versus temperature” the curves for  $B_{ONmin}$ ,  $B_{ONmax}$ ,  $B_{OFFmin}$ , and  $B_{OFFmax}$  refer to junction temperature, whereas typical curves refer to ambient temperature.

## 4.7. HAL 508

The HAL 508 is a unipolar switching sensor (see Fig. 4–25).

The output turns low with the magnetic south pole on the branded side of the package and turns high if the magnetic field is removed. The sensor does not respond to the magnetic north pole on the branded side.

For correct functioning in the application, the sensor requires only the magnetic south pole on the branded side of the package.

In the HAL5xx family, the HAL518 is a sensor with the same magnetic characteristics but with an inverted output characteristic.

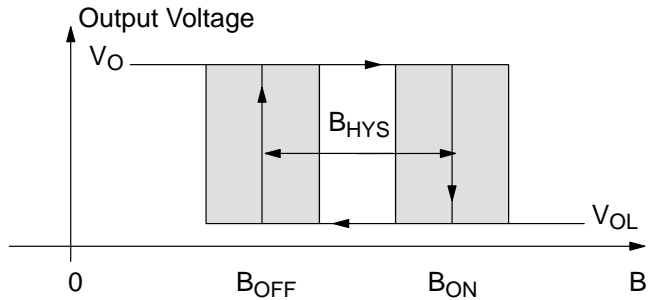
### Magnetic Features:

- switching type: unipolar
- medium sensitivity
- typical  $B_{ON}$ : 18 mT at room temperature
- typical  $B_{OFF}$ : 16 mT at room temperature
- operates with static magnetic fields and dynamic magnetic fields up to 10 kHz
- typical temperature coefficient of magnetic switching points is  $-1000$  ppm/K

## Applications

The HAL 508 is the optimal sensor for applications with one magnetic polarity such as:

- solid state switches,
- contactless solution to replace micro switches,
- position and end point detection, and
- rotating speed measurement.



**Fig. 4–25:** Definition of magnetic switching points for the HAL 508

**Magnetic Characteristics** at  $T_J = -40\text{ °C}$  to  $+170\text{ °C}$ ,  $V_{DD} = 3.8\text{ V}$  to  $24\text{ V}$ , Typical Characteristics for  $V_{DD} = 12\text{ V}$

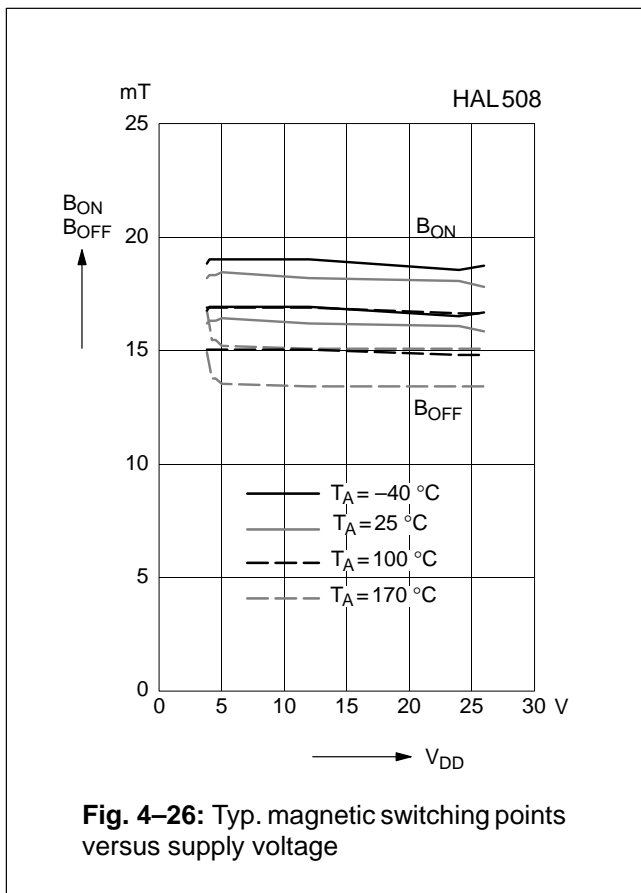
Magnetic flux density values of switching points.

Positive flux density values refer to the magnetic south pole at the branded side of the package.

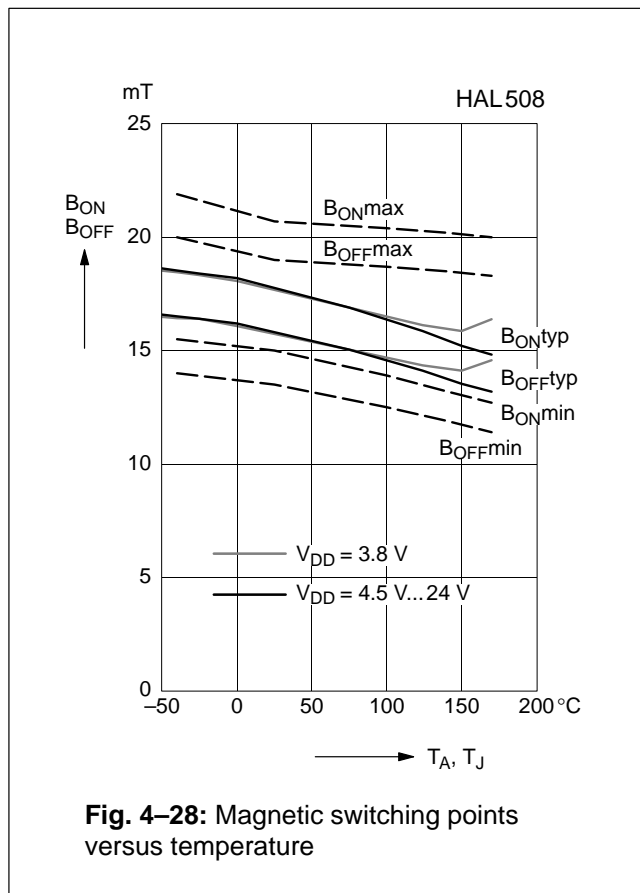
Parameter $T_J$	On point $B_{ON}$			Off point $B_{OFF}$			Hysteresis $B_{HYS}$			Magnetic Offset			Unit
	Min.	Typ.	Max.	Min.	Typ.	Max.	Min.	Typ.	Max.	Min.	Typ.	Max.	
$-40\text{ °C}$	15.5	19	21.9	14	16.7	20	1.6	2.3	2.8		17.8		mT
$25\text{ °C}$	15	18	20.7	13.5	16	19	1.5	2	2.7	14	17	20	mT
$100\text{ °C}$	13.9	16.6	20.4	12.5	14.8	18.7	1.2	1.8	2.6		15.7		mT
$140\text{ °C}$	13.2	15.8	20.2	11.9	14.1	18.5	1.1	1.7	2.6		15		mT
$170\text{ °C}$	12.7	15.3	20	11.4	13.6	18.3	1	1.7	2.6		14.4		mT

The hysteresis is the difference between the switching points  $B_{HYS} = B_{ON} - B_{OFF}$

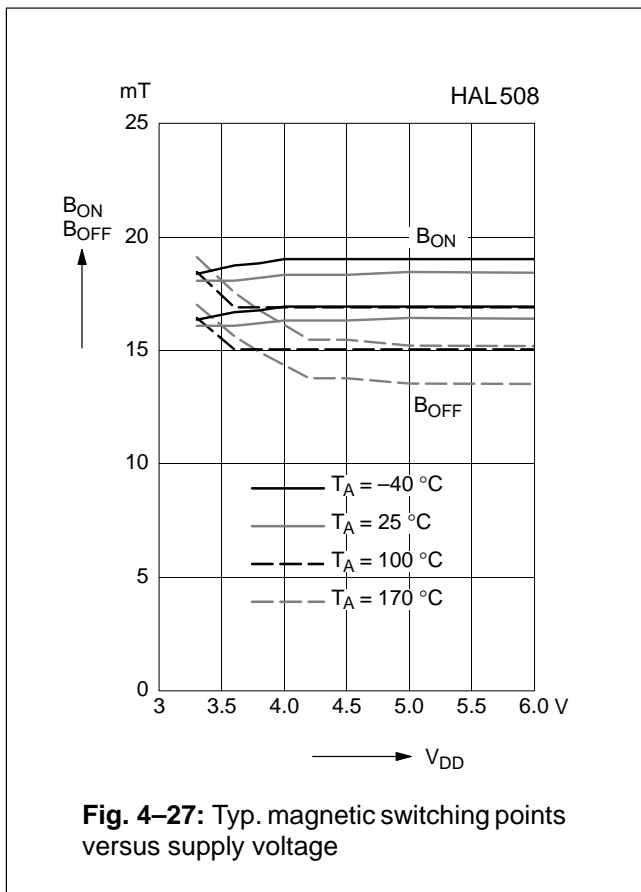
The magnetic offset is the mean value of the switching points  $B_{OFFSET} = (B_{ON} + B_{OFF}) / 2$



**Fig. 4-26:** Typ. magnetic switching points versus supply voltage



**Fig. 4-28:** Magnetic switching points versus temperature



**Fig. 4-27:** Typ. magnetic switching points versus supply voltage

**Note:** In the diagram “Magnetic switching points versus temperature” the curves for  $B_{ONmin}$ ,  $B_{ONmax}$ ,  $B_{OFFmin}$ , and  $B_{OFFmax}$  refer to junction temperature, whereas typical curves refer to ambient temperature.

## 4.8. HAL 509

The HAL 509 is the least sensitive unipolar switching sensor of this family (see Fig. 4–29).

The output turns low with the magnetic south pole on the branded side of the package and turns high if the magnetic field is removed. The sensor does not respond to the magnetic north pole on the branded side.

For correct functioning in the application, the sensor requires only the magnetic south pole on the branded side of the package.

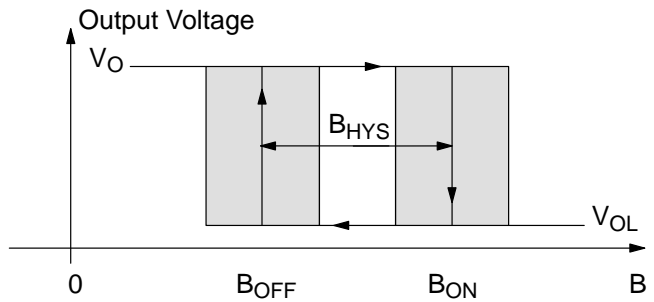
### Magnetic Features:

- switching type: unipolar
- low sensitivity
- typical  $B_{ON}$ : 26.8 mT at room temperature
- typical  $B_{OFF}$ : 23.2 mT at room temperature
- operates with static magnetic fields and dynamic magnetic fields up to 10 kHz
- typical temperature coefficient of magnetic switching points is  $-300$  ppm/K

## Applications

The HAL 509 is the optimal sensor for applications with one magnetic polarity and strong magnetic fields at the sensor position such as:

- solid state switches,
- contactless solution to replace micro switches,
- position and end point detection, and
- rotating speed measurement.



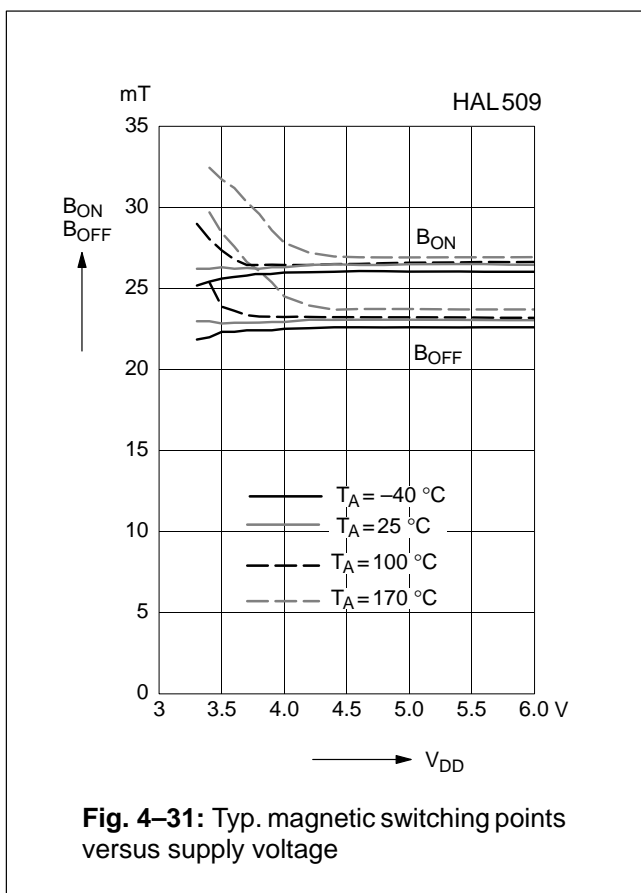
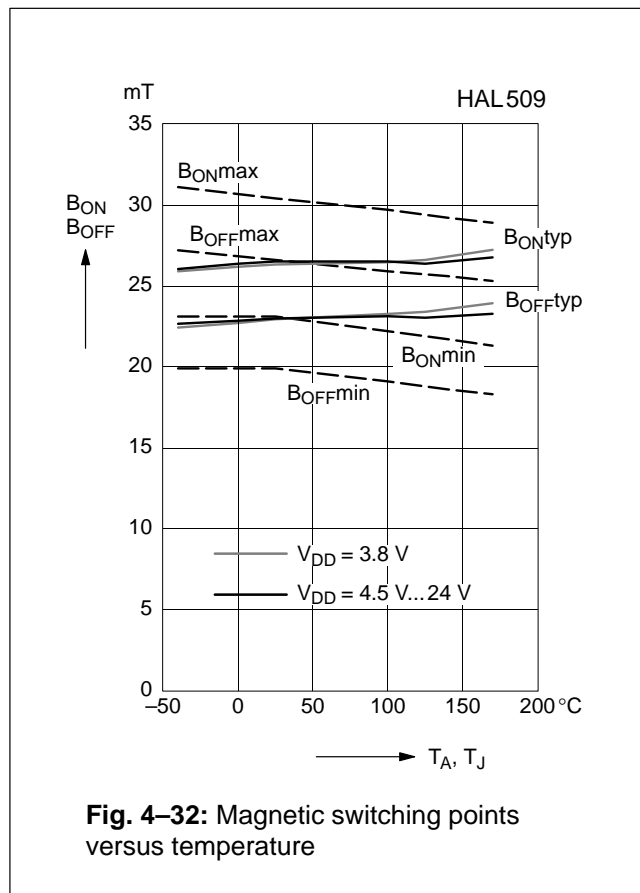
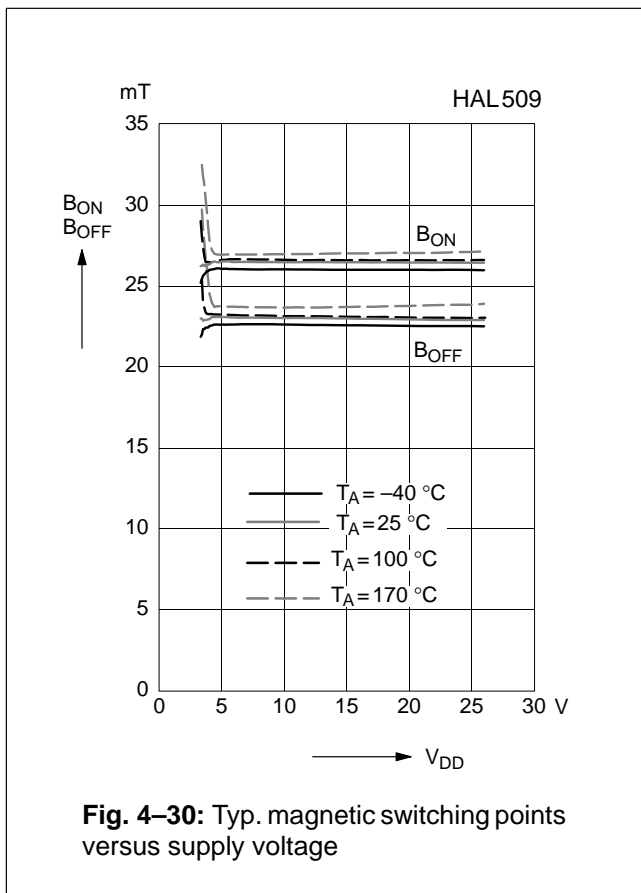
**Fig. 4–29:** Definition of magnetic switching points for the HAL 509

**Magnetic Characteristics** at  $T_J = -40$  °C to  $+170$  °C,  $V_{DD} = 3.8$  V to 24 V,  
Typical Characteristics for  $V_{DD} = 12$  V

Magnetic flux density values of switching points.  
Positive flux density values refer to the magnetic south pole at the branded side of the package.

Parameter $T_J$	On point $B_{ON}$			Off point $B_{OFF}$			Hysteresis $B_{HYS}$			Magnetic Offset			Unit
	Min.	Typ.	Max.	Min.	Typ.	Max.	Min.	Typ.	Max.	Min.	Typ.	Max.	
$-40$ °C	23.1	27.4	31.1	19.9	23.8	27.2	2.9	3.6	3.9		25.6		mT
$25$ °C	23.1	26.8	30.4	19.9	23.2	26.6	2.8	3.5	3.9	21.5	25	28.5	mT
$100$ °C	22.2	26.1	29.7	19.1	22.7	25.9	2.7	3.4	3.8		24.4		mT
$140$ °C	21.7	25.7	29.2	18.6	22.4	25.6	2.6	3.3	3.8		24		mT
$170$ °C	21.3	25.4	28.9	18.3	22.1	25.3	2.5	3.3	3.8		23.7		mT

The hysteresis is the difference between the switching points  $B_{HYS} = B_{ON} - B_{OFF}$   
The magnetic offset is the mean value of the switching points  $B_{OFFSET} = (B_{ON} + B_{OFF}) / 2$



**Note:** In the diagram “Magnetic switching points versus temperature” the curves for  $B_{ONmin}$ ,  $B_{ONmax}$ ,  $B_{OFFmin}$ , and  $B_{OFFmax}$  refer to junction temperature, whereas typical curves refer to ambient temperature.

## 4.9. HAL 516

The HAL 516 is the most sensitive unipolar switching sensor with an inverted output of this family (see Fig. 4–33).

The output turns high with the magnetic south pole on the branded side of the package and turns low if the magnetic field is removed. The sensor does not respond to the magnetic north pole on the branded side.

For correct functioning in the application, the sensor requires only the magnetic south pole on the branded side of the package.

In the HAL 5xx family, the HAL 506 is a sensor with the same magnetic characteristics but with a normal output characteristic.

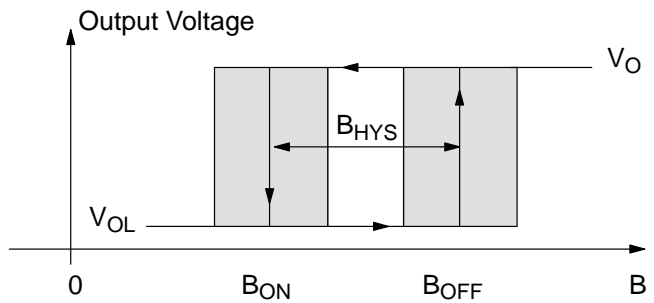
### Magnetic Features:

- switching type: unipolar inverted
- high sensitivity
- typical  $B_{ON}$ : 3.5 mT at room temperature
- typical  $B_{OFF}$ : 5.5 mT at room temperature
- operates with static magnetic fields and dynamic magnetic fields up to 10 kHz
- typical temperature coefficient of magnetic switching points is  $-1000$  ppm/K

## Applications

The HAL 516 is the optimal sensor for all applications with one magnetic polarity and weak magnetic amplitude at the sensor position where an inverted output signal is required such as:

- applications with large airgap or weak magnets,
- solid state switches,
- contactless solution to replace micro switches,
- position and end point detection, and
- rotating speed measurement.



**Fig. 4–33:** Definition of magnetic switching points for the HAL516

**Magnetic Characteristics** at  $T_J = -40\text{ °C}$  to  $+170\text{ °C}$ ,  $V_{DD} = 3.8\text{ V}$  to  $24\text{ V}$ , Typical Characteristics for  $V_{DD} = 12\text{ V}$

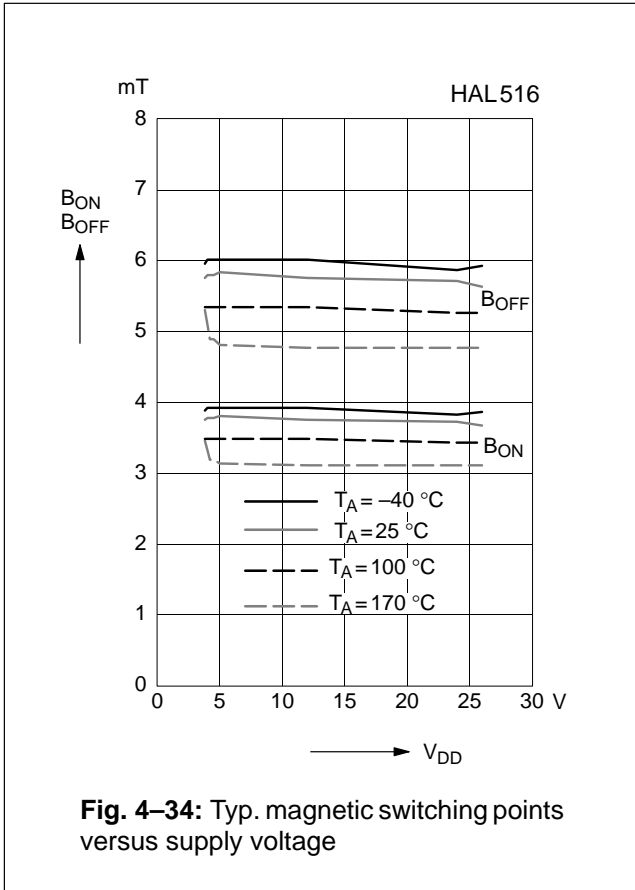
Magnetic flux density values of switching points.

Positive flux density values refer to the magnetic south pole at the branded side of the package.

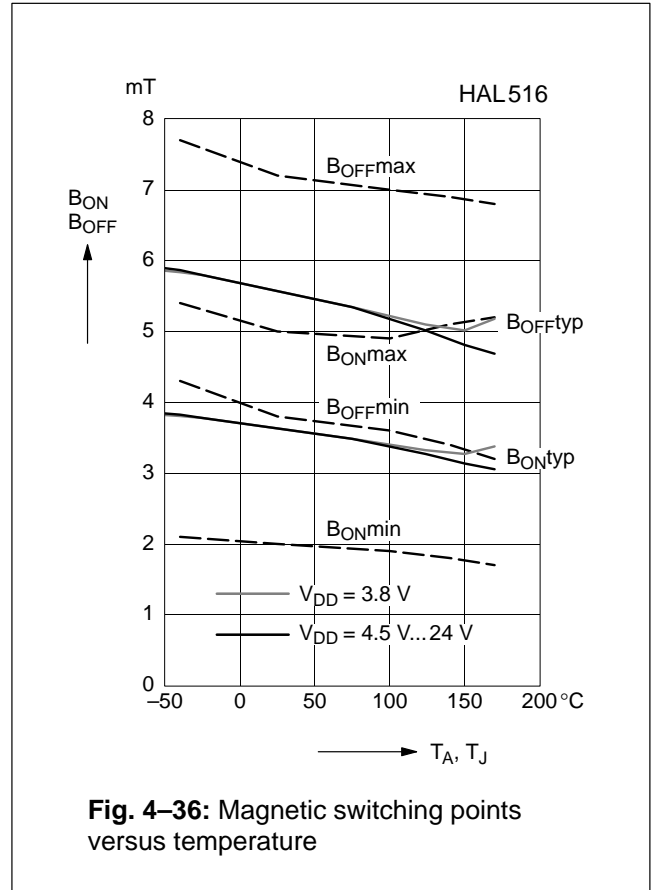
Parameter $T_J$	On point $B_{ON}$			Off point $B_{OFF}$			Hysteresis $B_{HYS}$			Magnetic Offset			Unit
	Min.	Typ.	Max.	Min.	Typ.	Max.	Min.	Typ.	Max.	Min.	Typ.	Max.	
$-40\text{ °C}$	2.1	3.8	5.4	4.3	5.9	7.7	1.6	2.1	2.8		4.8		mT
$25\text{ °C}$	2	3.5	5	3.8	5.5	7.2	1.5	2	2.7	3.8	4.5	6.2	mT
$100\text{ °C}$	1.9	3.3	4.9	3.6	5.1	7	1.2	1.8	2.6		4.2		mT
$140\text{ °C}$	1.8	3.1	5.1	3.4	4.8	6.9	1	1.7	2.6		4		mT
$170\text{ °C}$	1.7	3	5.2	3.2	4.6	6.8	0.9	1.6	2.6		3.8		mT

The hysteresis is the difference between the switching points  $B_{HYS} = B_{OFF} - B_{ON}$

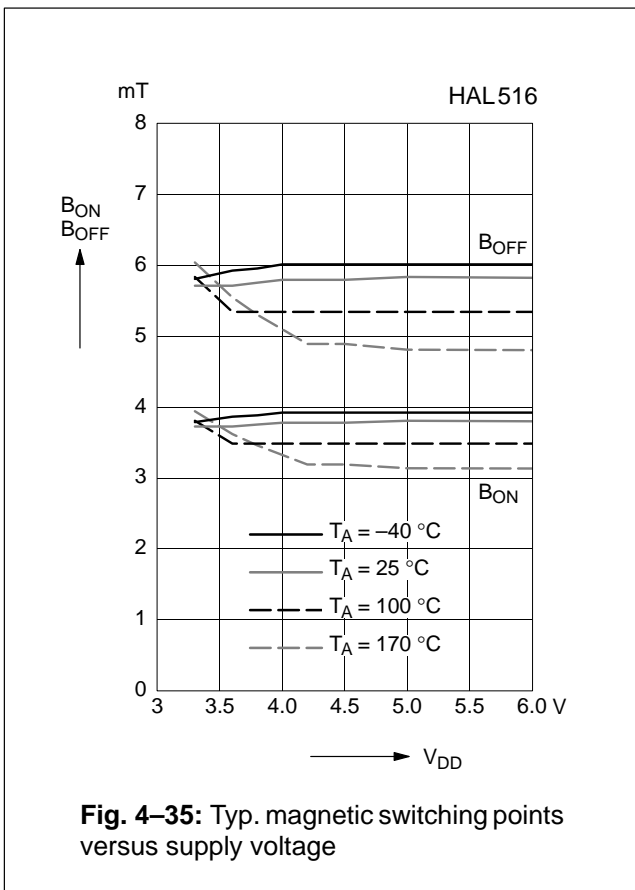
The magnetic offset is the mean value of the switching points  $B_{OFFSET} = (B_{ON} + B_{OFF}) / 2$



**Fig. 4-34:** Typ. magnetic switching points versus supply voltage



**Fig. 4-36:** Magnetic switching points versus temperature



**Fig. 4-35:** Typ. magnetic switching points versus supply voltage

**Note:** In the diagram “Magnetic switching points versus temperature” the curves for  $B_{ONmin}$ ,  $B_{ONmax}$ ,  $B_{OFFmin}$ , and  $B_{OFFmax}$  refer to junction temperature, whereas typical curves refer to ambient temperature.

## 4.10. HAL 517

The HAL 517 is a unipolar switching sensor with inverted output (see Fig. 4–37).

The output turns high with the magnetic south pole on the branded side of the package and turns low if the magnetic field is removed. The sensor does not respond to the magnetic north pole on the branded side.

For correct functioning in the application, the sensor requires only the magnetic south pole on the branded side of the package.

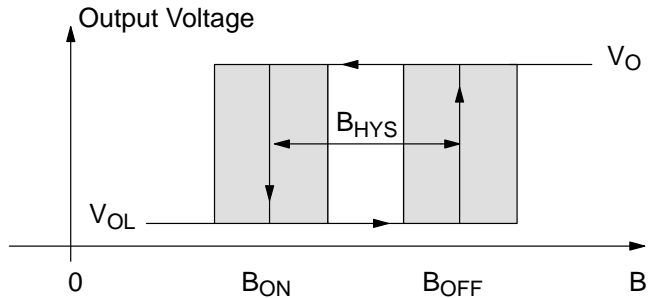
### Magnetic Features:

- switching type: unipolar inverted
- medium sensitivity
- typical on point is 16.2 mT at room temperature
- typical off point is 18.3 mT at room temperature
- operates with static magnetic fields and dynamic magnetic fields up to 10 kHz
- typical temperature coefficient of magnetic switching points is  $-1700$  ppm/K

## Applications

The HAL 517 is the optimal sensor for applications with one magnetic polarity where an inverted output signal is required such as:

- solid state switches,
- contactless solution to replace micro switches,
- position and end point detection, and
- rotating speed measurement.



**Fig. 4–37:** Definition of magnetic switching points for the HAL 517

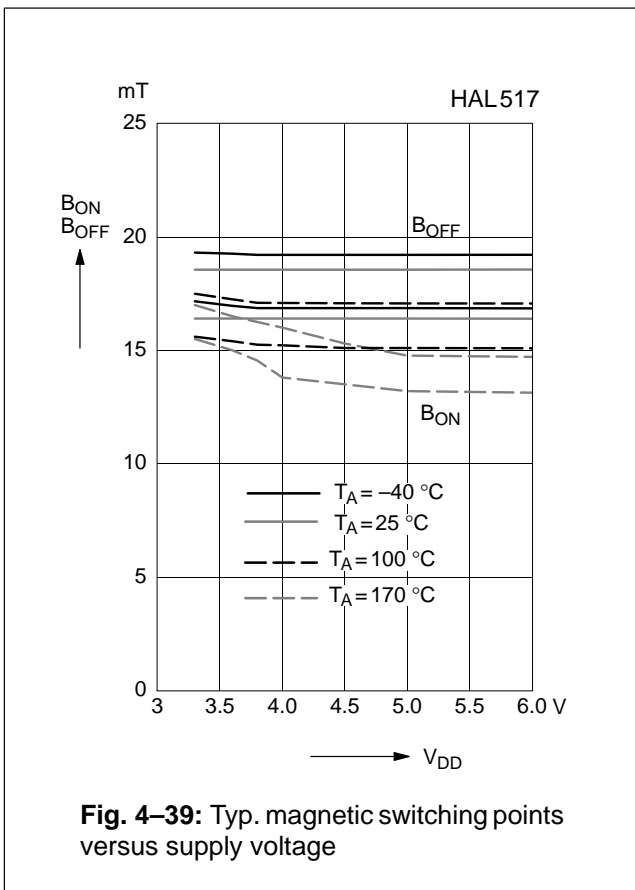
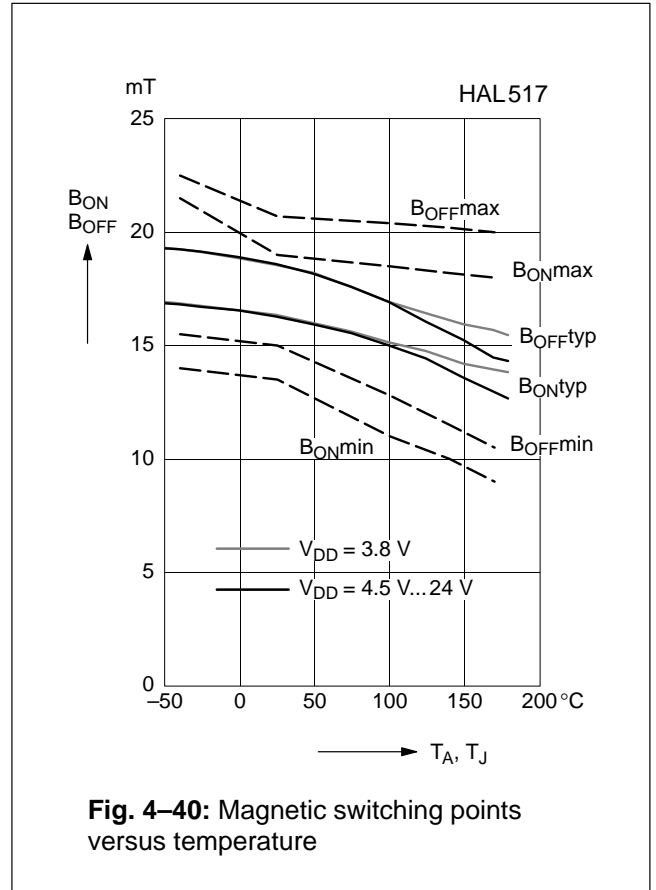
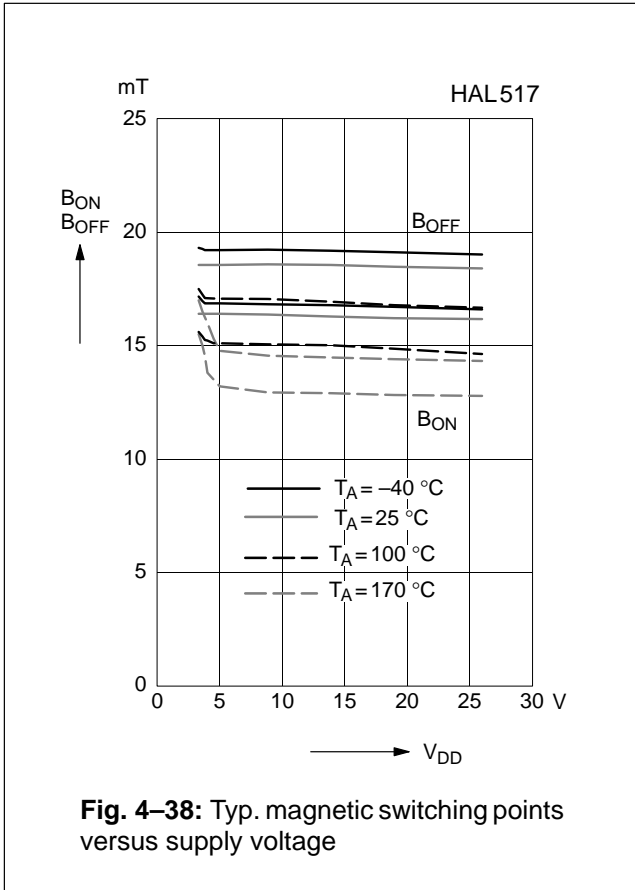
**Magnetic Characteristics** at  $T_J = -40$  °C to  $+170$  °C,  $V_{DD} = 3.8$  V to 24 V,  
Typical Characteristics for  $V_{DD} = 12$  V

Magnetic flux density values of switching points.  
Positive flux density values refer to the magnetic south pole at the branded side of the package.

Parameter $T_J$	On point $B_{ON}$			Off point $B_{OFF}$			Hysteresis $B_{HYS}$			Magnetic Offset			Unit
	Min.	Typ.	Max.	Min.	Typ.	Max.	Min.	Typ.	Max.	Min.	Typ.	Max.	
$-40$ °C	14	17.1	21.5	15.5	19.6	22.5	1.6	2.5	3		18.3		mT
$25$ °C	13.5	16.2	19	15	18.3	20.7	1.5	2.1	2.7	14	17.2	20	mT
$100$ °C	11	14.3	18.5	12.8	16.1	20.4	1.2	1.8	2.6		15.2		mT
$140$ °C	10	13.2	18.2	11.5	14.8	20.2	1	1.6	2.6		14		mT
$170$ °C	9	12.3	18	10.5	13.7	20	0.8	1.4	2.4		13		mT

The hysteresis is the difference between the switching points  $B_{HYS} = B_{OFF} - B_{ON}$   
The magnetic offset is the mean value of the switching points  $B_{OFFSET} = (B_{ON} + B_{OFF}) / 2$





**Note:** In the diagram “Magnetic switching points versus ambient temperature” the curves for  $B_{ONmin}$ ,  $B_{ONmax}$ ,  $B_{OFFmin}$ , and  $B_{OFFmax}$  refer to junction temperature, whereas typical curves refer to ambient temperature.

## 4.11. HAL 518

The HAL 518 is a unipolar switching sensor with inverted output (see Fig. 4–41).

The output turns high with the magnetic south pole on the branded side of the package and turns low if the magnetic field is removed. The sensor does not respond to the magnetic north pole on the branded side.

For correct functioning in the application, the sensor requires only the magnetic south pole on the branded side of the package.

In the HAL 5xx family, the HAL 508 is a sensor with the same magnetic characteristics but with a normal output characteristic.

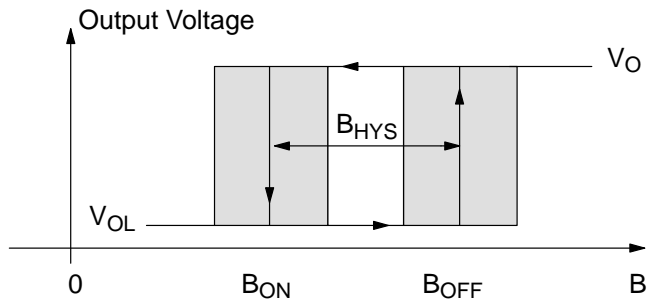
### Magnetic Features:

- switching type: unipolar inverted
- medium sensitivity
- typical  $B_{ON}$ : 16 mT at room temperature
- typical  $B_{OFF}$ : 18 mT at room temperature
- operates with static magnetic fields and dynamic magnetic fields up to 10 kHz
- typical temperature coefficient of magnetic switching points is  $-1000$  ppm/K

## Applications

The HAL 518 is the optimal sensor for applications with one magnetic polarity where an inverted output signal is required such as:

- solid state switches,
- contactless solution to replace micro switches,
- position and end point detection, and
- rotating speed measurement.



**Fig. 4–41:** Definition of magnetic switching points for the HAL 518

**Magnetic Characteristics** at  $T_J = -40\text{ °C}$  to  $+170\text{ °C}$ ,  $V_{DD} = 3.8\text{ V}$  to  $24\text{ V}$ , Typical Characteristics for  $V_{DD} = 12\text{ V}$

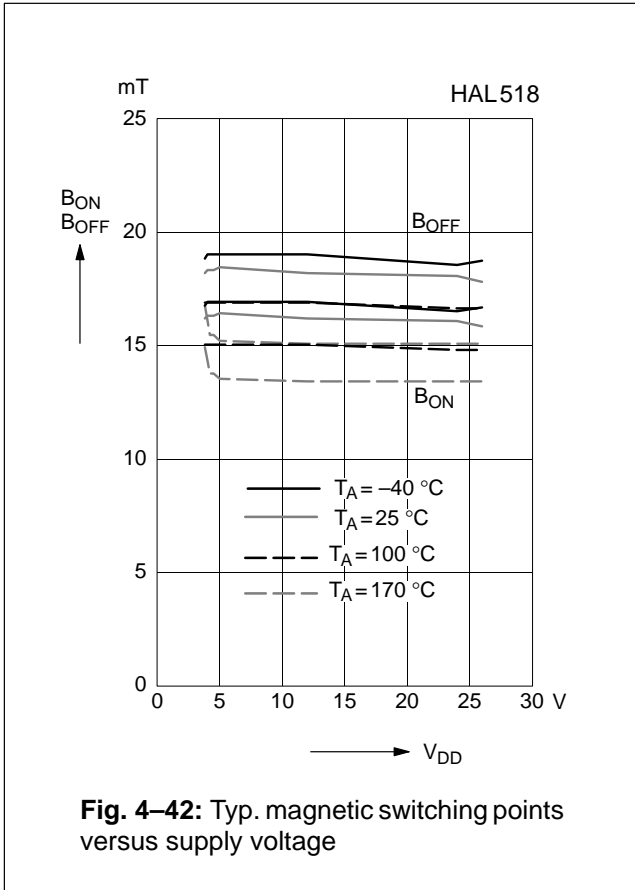
Magnetic flux density values of switching points.

Positive flux density values refer to the magnetic south pole at the branded side of the package.

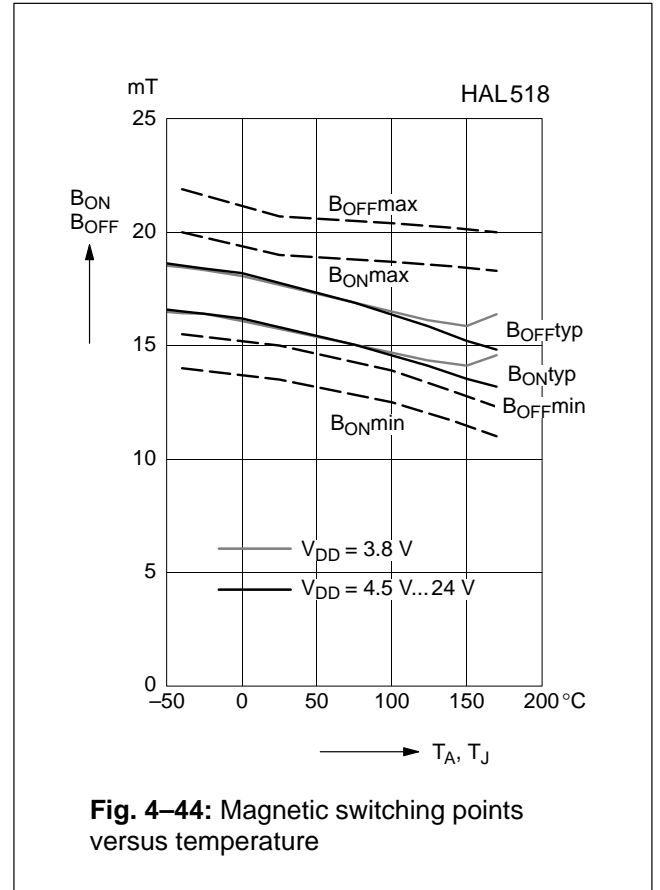
Parameter $T_J$	On point $B_{ON}$			Off point $B_{OFF}$			Hysteresis $B_{HYS}$			Magnetic Offset			Unit
	Min.	Typ.	Max.	Min.	Typ.	Max.	Min.	Typ.	Max.	Min.	Typ.	Max.	
$-40\text{ °C}$	14	16.7	20	15.5	19	22	1.5	2.3	3		17.8		mT
$25\text{ °C}$	13.5	16	19	15	18	20.7	1.4	2	2.8	14	17	20	mT
$100\text{ °C}$	12.5	14.8	18.7	13.9	16.6	20.4	1	1.8	2.7		15.7		mT
$140\text{ °C}$	11.7	14.1	18.5	13	15.8	20.2	0.9	1.7	2.7		15		mT
$170\text{ °C}$	11	13.6	18.3	12.2	15.3	20	0.8	1.7	2.6		14.4		mT

The hysteresis is the difference between the switching points  $B_{HYS} = B_{OFF} - B_{ON}$

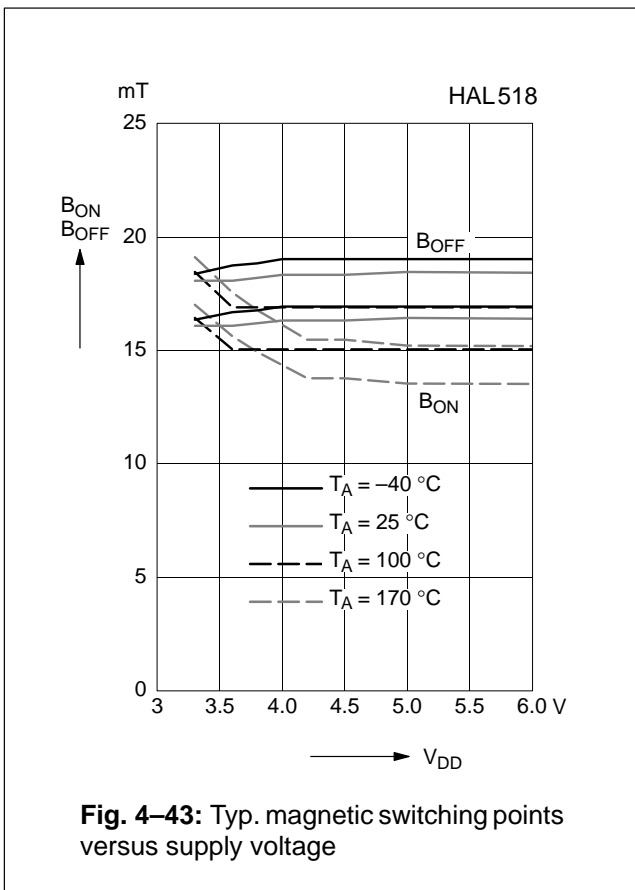
The magnetic offset is the mean value of the switching points  $B_{OFFSET} = (B_{ON} + B_{OFF}) / 2$



**Fig. 4-42:** Typ. magnetic switching points versus supply voltage



**Fig. 4-44:** Magnetic switching points versus temperature



**Fig. 4-43:** Typ. magnetic switching points versus supply voltage

**Note:** In the diagram “Magnetic switching points versus temperature” the curves for  $B_{ONmin}$ ,  $B_{ONmax}$ ,  $B_{OFFmin}$ , and  $B_{OFFmax}$  refer to junction temperature, whereas typical curves refer to ambient temperature.

## 5. Application Notes

### 5.1. Ambient Temperature

Due to the internal power dissipation, the temperature on the silicon chip (junction temperature  $T_J$ ) is higher than the temperature outside the package (ambient temperature  $T_A$ ).

$$T_J = T_A + \Delta T$$

At static conditions, the following equation is valid:

$$\Delta T = I_{DD} \cdot V_{DD} \cdot R_{th}$$

For typical values, use the typical parameters. For worst case calculation, use the max. parameters for  $I_{DD}$  and  $R_{th}$ , and the max. value for  $V_{DD}$  from the application.

For all sensors, the junction temperature range  $T_J$  is specified. The maximum ambient temperature  $T_{Amax}$  can be calculated as:

$$T_{Amax} = T_{Jmax} - \Delta T$$

### 5.2. Extended Operating Conditions

All sensors fulfill the electrical and magnetic characteristics when operated within the Recommended Operating Conditions (see page 7).

### Supply Voltage Below 3.8 V

Typically, the sensors operate with supply voltages above 3 V, however, below 3.8 V some characteristics may be outside the specification.

**Note:** The functionality of the sensor below 3.8 V has not been tested. For special test conditions, please contact Micronas.

### 5.3. Start-up Behavior

Due to the active offset compensation, the sensors have an initialization time (enable time  $t_{en(O)}$ ) after applying the supply voltage. The parameter  $t_{en(O)}$  is specified in the Electrical Characteristics (see page 8).

During the initialization time, the output state is not defined and the output can oscillate. After  $t_{en(O)}$ , the output will be low if the applied magnetic field  $B$  is above  $B_{ON}$ . The output will be high if  $B$  is below  $B_{OFF}$ . In case of sensors with an inverted switching behavior (HAL 516 ... HAL 518), the output state will be high if  $B > B_{OFF}$  and low if  $B < B_{ON}$ .

For magnetic fields between  $B_{OFF}$  and  $B_{ON}$ , the output state of the HAL sensor after applying  $V_{DD}$  will be either low or high. In order to achieve a well-defined output

state, the applied magnetic field must be above  $B_{ONmax}$ , respectively, below  $B_{OFFmin}$ .

### 5.4. EMC

For applications with disturbances on the supply line or radiated disturbances, a series resistor and a capacitor are recommended (see figures 5–1 and 5–2).

The series resistor and the capacitor should be placed as closely as possible to the HAL sensor.

### Test Circuits for Electromagnetic Compatibility

Test pulses  $V_{EMC}$  corresponding to DIN 40839.

**Note:** The international standard ISO 7637 is similar to the used product standard DIN 40839.

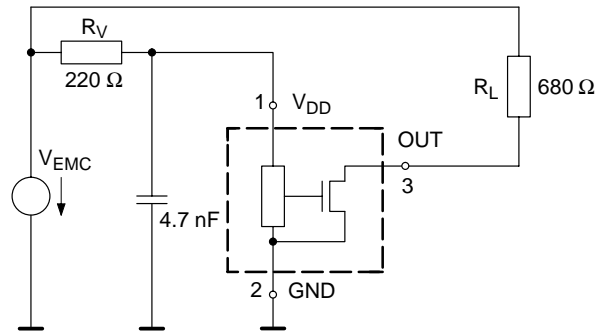


Fig. 5–1: Test circuit 1

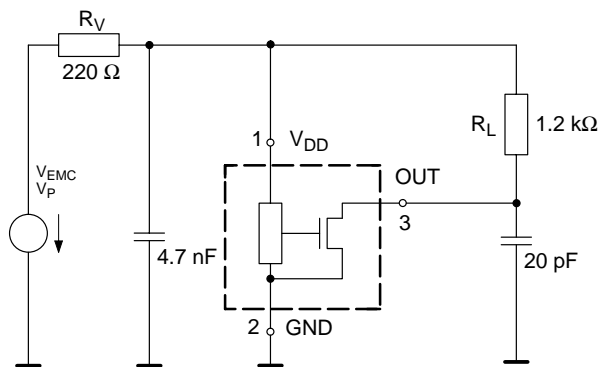


Fig. 5–2: Test circuit 2

### Interferences conducted along supply lines in 12 V onboard systems

Product standard: DIN 40839 part 1

Pulse	Level	$U_s$ in V	Test circuit	Pulses/ Time	Function Class	Remarks
1	IV	-100	1	5000	C	5 s pulse interval
2	IV	100	1	5000	C	0.5 s pulse interval
3a	IV	-150	2	1 h	A	
3b	IV	100	2	1h	A	
4	IV	-7	2	5	A	
5	IV	86.5	1	10	C	10 s pulse interval

### Electrical transient transmission by capacitive and inductive coupling via lines other than the supply lines

Product standard: DIN 40839 part3

Pulse	Level	$U_s$ in V	Test circuit	Pulses/ Time	Function Class	Remarks
1	IV	-30	2	500	A	5 s pulse interval
2	IV	30	2	500	A	0.5 s pulse interval
3a	IV	-60	2	10 min	A	
3b	IV	40	2	10 min	A	

### Radiated Disturbances

Product standard: DIN 40839 part4

#### Test Conditions

- Temperature: Room temperature (22...25 °C)
- Supply voltage: 13 V
- Lab Equipment: TEM cell 220 MHz  
with adaptor board 455 mm, device 80 mm over ground
- Frequency range: 5...220 MHz; 1 MHz steps
- Test circuit 2 with  $R_L = 1.2 \text{ k}\Omega$
- tested with static magnetic fields

#### Tested Devices and Results

Type	Field Strength during test	Modulation	Result
HAL 50x	> 200 V/m	-	output voltage stable on the level high or low <sup>1)</sup>
HAL 50x	> 200 V/m	1 kHz 80 %	output voltage stable on the level high or low <sup>1)</sup>

<sup>1)</sup> low level < 0.4 V, high level > 90% of  $V_{DD}$





## 6. Data Sheet History

1. Final data sheet: "HAL501...506, 508, 509, 516... 518, Hall Effect Sensor Family, Aug. 11, 1999, 6251-485-1DS. First release of the final data sheet. Major changes to the previous edition "HAL501 ... HAL506, HAL 508", Hall Effect Sensor ICs, May 5, 1997, 6251-405-1DS:
  - additional types: HAL509, HAL516 ... HAL518
  - additional package SOT-89B
  - additional temperature range "K"
  - outline dimensions for SOT-89A and TO-92UA changed
  - absolute maximum ratings changed
  - electrical characteristics changed
  - magnetic characteristics for HAL 501, HAL 503, HAL 506, and HAL 509 changed

Micronas GmbH  
Hans-Bunte-Strasse 19  
D-79108 Freiburg (Germany)  
P.O. Box 840  
D-79008 Freiburg (Germany)  
Tel. +49-761-517-0  
Fax +49-761-517-2174  
E-mail: docservice@micronas.com  
Internet: www.micronas.com

Printed in Germany  
by Systemdruck+Verlags-GmbH, Freiburg (08/99)  
Order No. 6251-485-1DS

All information and data contained in this data sheet are without any commitment, are not to be considered as an offer for conclusion of a contract, nor shall they be construed as to create any liability. Any new issue of this data sheet invalidates previous issues. Product availability and delivery are exclusively subject to our respective order confirmation form; the same applies to orders based on development samples delivered. By this publication, Micronas GmbH does not assume responsibility for patent infringements or other rights of third parties which may result from its use.

Further, Micronas GmbH reserves the right to revise this publication and to make changes to its content, at any time, without obligation to notify any person or entity of such revisions or changes.

No part of this publication may be reproduced, photocopied, stored on a retrieval system, or transmitted without the express written consent of Micronas GmbH.